



U4T100-140

4K (3840x2160) Ultra HD 4 wire toolbox with optional Dolby E processing

A Synapse® product

Synapse

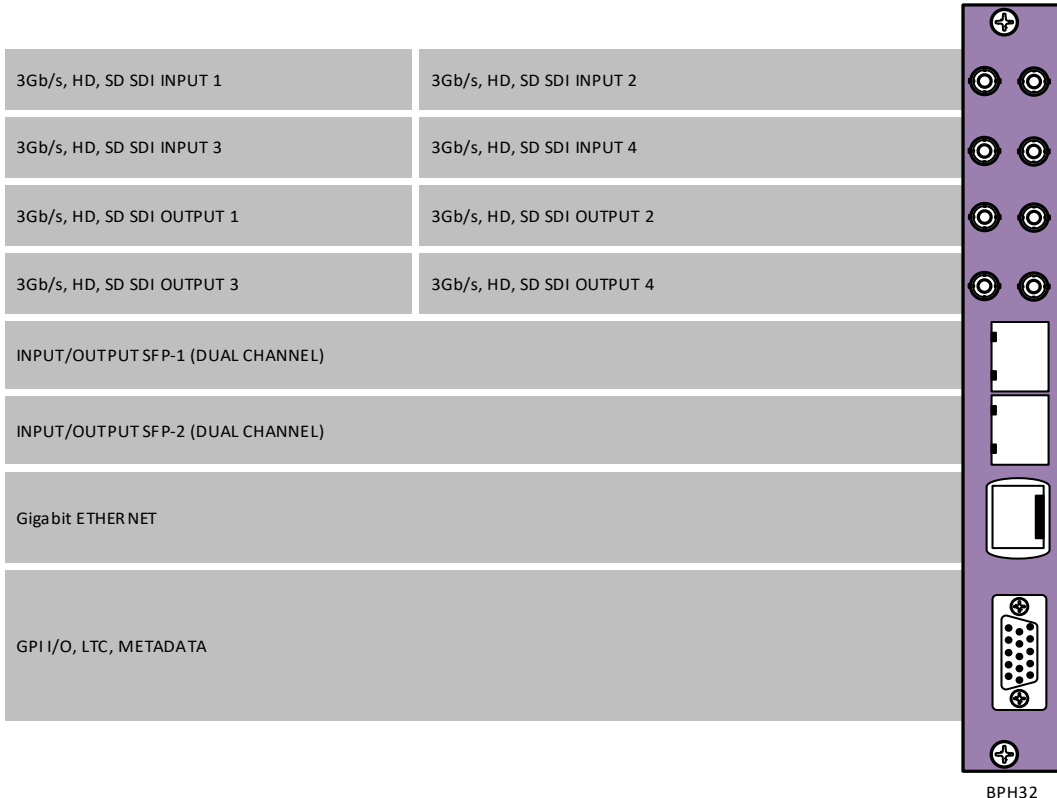
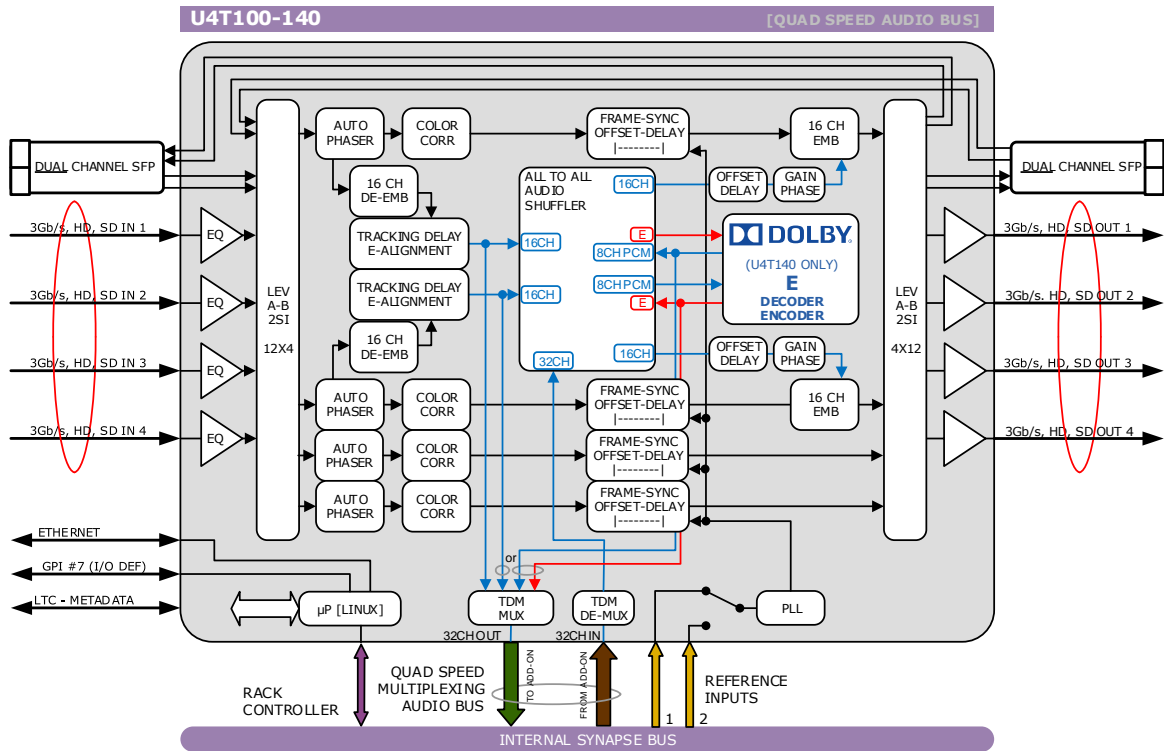


COPYRIGHT © 2015 AXON DIGITAL DESIGN BV

ALL RIGHTS RESERVED

NO PART OF THIS DOCUMENT MAY BE REPRODUCED IN ANY FORM WITHOUT THE PERMISSION OF AXON DIGITAL DESIGN BV.

Block schematic & I/O panel



Features

The U4T100 and U4T140 are 4k (4 wire) production toolboxes that will ease the challenges of a 4 wire production setup where the left top corner (channel A) is used to carry VANC and HANC data like timecode and embedded audio

The I/O is capable of handling four times 1080p formatted as level A, level B or 2Si (two sample interleaved)

The '140' has an extra Dolby E encoder and decoder on board and will be capable of handling these signals internally. A quad speed audio bus can be used for additional Dolby E processing or other audio processing by using an ADD-ON card like the DEE28

- Extreme low intrinsic latency of 5 lines
- 4 inputs
 - Separate internal processing channels
 - input autophasers
 - Framesyncs and offset delay blocks controllable in two stages (LeftTop+rest)
- 4 outputs
- RGB color correction of all 4 processing channels as one
- 4K 4 wire (3840 x 2160)
- Level A,B and 2Si compliant
- Compatible with the following formats
 - 1080p59.94
 - 1080p50
 - 1080i59.94
 - 1080i50
 - 720p59.94
 - 720p50
- Transparent for 16 channels of embedded audio in first quadrant
- Full control and status monitoring through the front panel of the SFR04/SFR08/SFR18 frame and the Ethernet port (ACP)

Applications

- All 4k 4 wire challenges
- Synchronization
- Auto phasing
- embedding and de-embedding from left top channel
- Encoding and decoding to and from Dolby E embedded data
- 4 wire synchronization and alignment
- Color correction
- Level A to level B or to 2Si conversion in any direction.

Ordering information

Module:

- **U4T100:** 4k (4 wire) toolbox
- **U4T140:** 4k (4 wire) toolbox with embedded Dolby processing

Standard I/O:

- **BPH32_U4T100:** I/O panel for U4T100 or U4T140

Fiber outputs:

- **Standard video SFP**

Fiber inputs:

- **Standard video SFP**

Specifications

Serial Video Input

Standard	3Gb/s SDI:SMPTE424/5 (Level B)
Number of Inputs	4 (up to 8)
Connector	DIN 1.0/2.3
Equalization	Typical maximum equalized length of Belden 1694A cable: 90m at 2.97Gb/s, 120m at 1.485Gb/s,
Return Loss	> 15dB up to 1.5GHz

Serial Video Output

Number of Outputs	4 (up to 8)
Connector	DIN 1.0/2.3
Signal Level	800mV nominal
DC Offset	0V \pm 0.5V
Rise/Fall Time	135ps nominal
Overshoot	< 10% of amplitude
Return Loss	> 15dB up to 1.5GHz (typ.) > 10dB up to 3GHz (typ.)
Wideband Jitter	< 0.2UI

Miscellaneous

Weight	Approx. 450g
Operating Temperature	0 °C to +40 °C
Dimensions	137 x 296 x 20 mm (HxWxD)

Electrical

Voltage	+24V to +30V
Power	<18 Watts