



Synapse

ADP24

Audio description and voice-over processing card

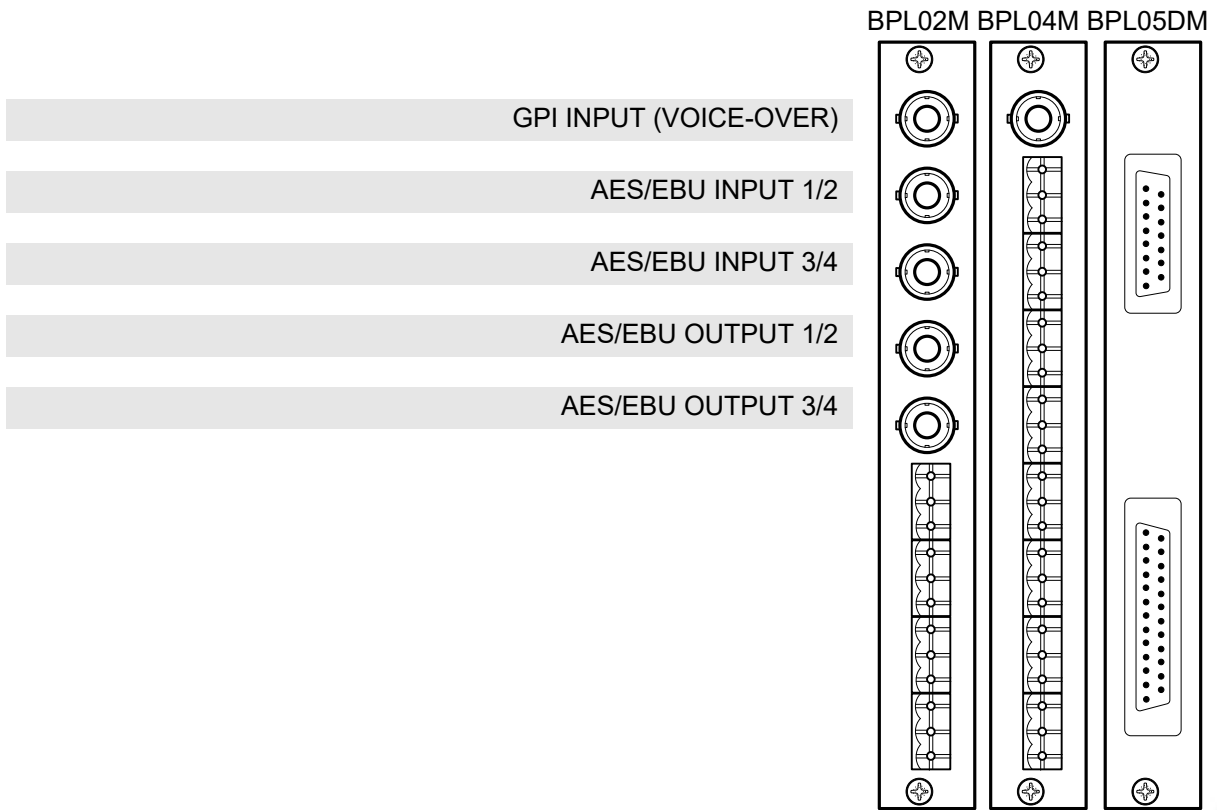
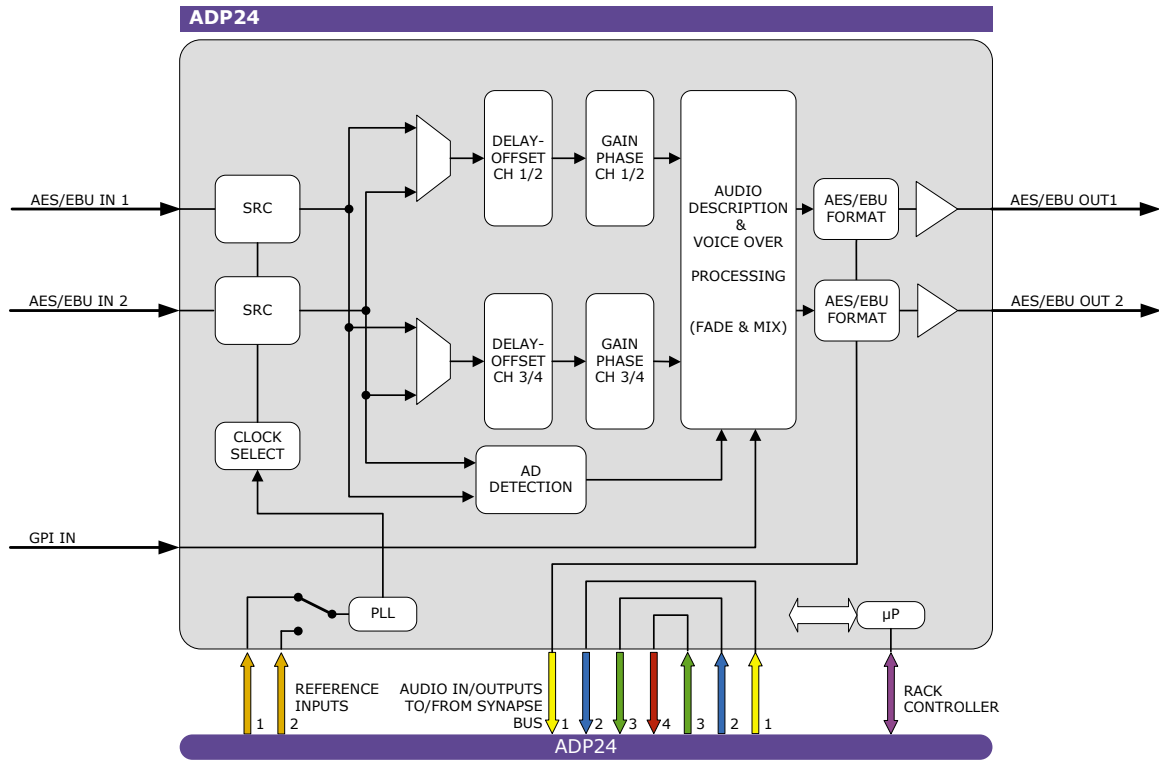
A Synapse® product

**ADD-ON
Card**



Due to constant product research and development all specifications are subject to change without notice. EVS does not warrant or assume any legal liability or responsibility for the accuracy, completeness, availability and/or delivery of the products and/or services listed in this datasheet. Copyright © 2021 EVS

Block schematic & I/O panel



Features

The ADP24 is the AES/EBU equivalent of the ADP10. The card is designed to decode the audio description track that is part of an AES/EBU audio stream. It reads the description track and mixes this with the program material. The result is then overwritten in the original audio description track (default 3/4). The user is free to change the default track description and can change the individual offset delay of the audio tracks. The adjustable delay can also be used for compensation of other video related propagation delay like Dolby Digital encoding.

- Audio description or voice-over mode
- Automatic Audio Description recognition
- Adjustable voice-over, fade-in and fadeout time
- Flexible channel assignment
- 1 original program output
- 1 audio described (mixed) output
- Adjustable offset delay per stereo pair
- Gain (0.25db steps) and phase control (0-180 deg) per channel
- Compatible with pan information
- Can be locked to AES1, AES2, Master Synapse card, Wordclock and B&B
- Full control and status monitoring through the front panel of the SFR04/SFR08/SFR18 frame and the Ethernet port

Applications

- Generic digital audio description processing
- AES/EBU voice over module

Ordering information

Module:

- **ADP24:** Audio description and voice-over processing card

Standard I/O:

- **BPL02M_ADP24:** I/O panel for ADP24 with unbalanced AES/EBU in and unbalanced AES/EBU out
- **BPL04M_ADP24:** I/O panel for ADP24 with balanced AES/EBU in and balanced AES/EBU out
- **BPL05DM_ADP24:** I/O panel for ADP24 with balanced AES/EBU in, balanced AES/EBU out and tracking on sub-D

Specifications

AES Audio Input

Connector	BNC, Screw terminal or sub-D (balanced)
Standard	AES-1992 for balanced synchronous or asynchronous PCM/AES, SMPTE 276M for single ended synchronous or asynchronous PCM/AES
Number of Inputs	2
Sampling Rate	48 kHz
Resolution	24 bits when AES inputs selected, 20 bits in Master/ADD-ON mode
Minimum Input/Output Delay	2.5ms
Number of Inputs	2
Impedance	110 Ohms or 75 Ohms
Level	0.2V to 1V nom for BNC, 2V to 7V for balanced operation
Minimum Input/Output Delay	3.5ms

AES Audio Output

Number of Outputs	2
Connector	BNC, Screw terminal or female sub-D (balanced)
Resolution	24 bits
Sampling Rate	48KHz synchronous
Minimum Input/Output Delay	2.5ms
Maximum Input/Output Delay	1300 ms

Miscellaneous

Weight	Approx. 250g
Operating Temperature	0 °C to +50 °C
Dimensions	137 x 296 x 20 mm (HxWxD)

Electrical

Voltage	+24V to +30V
Power	<6 Watts