



# Synapse

## CDV08

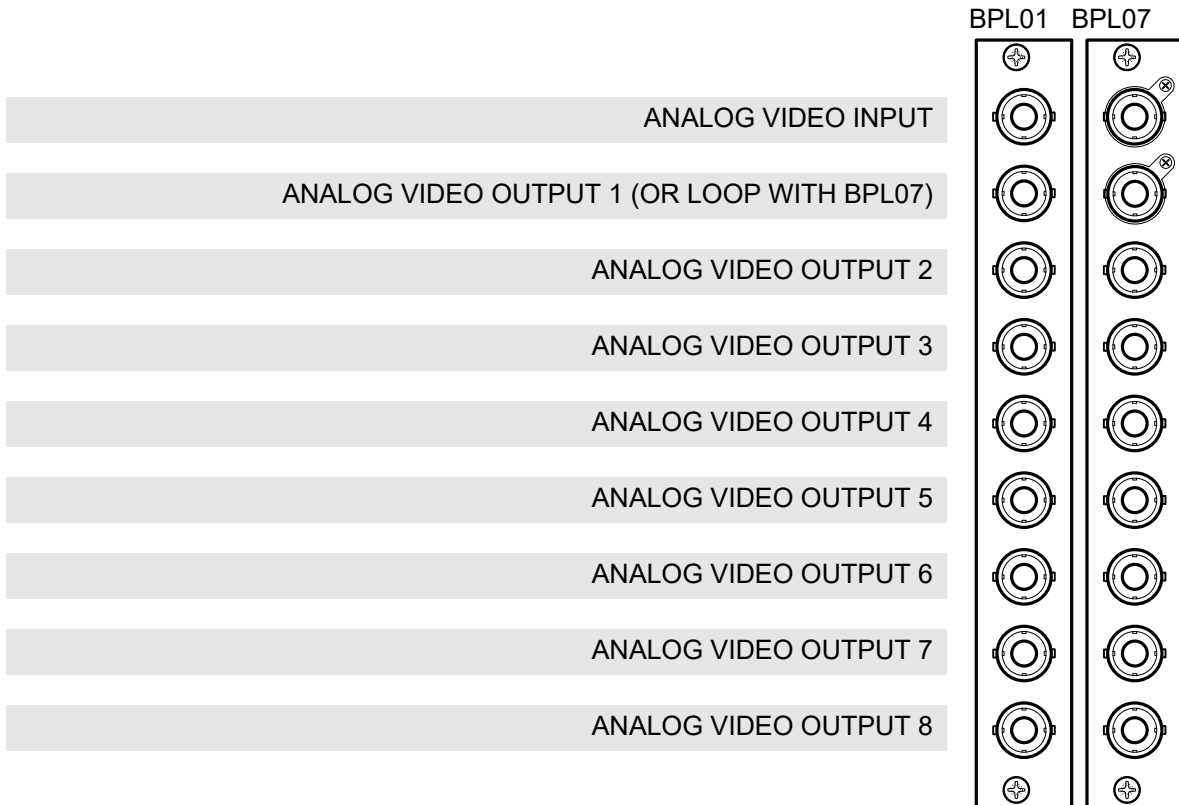
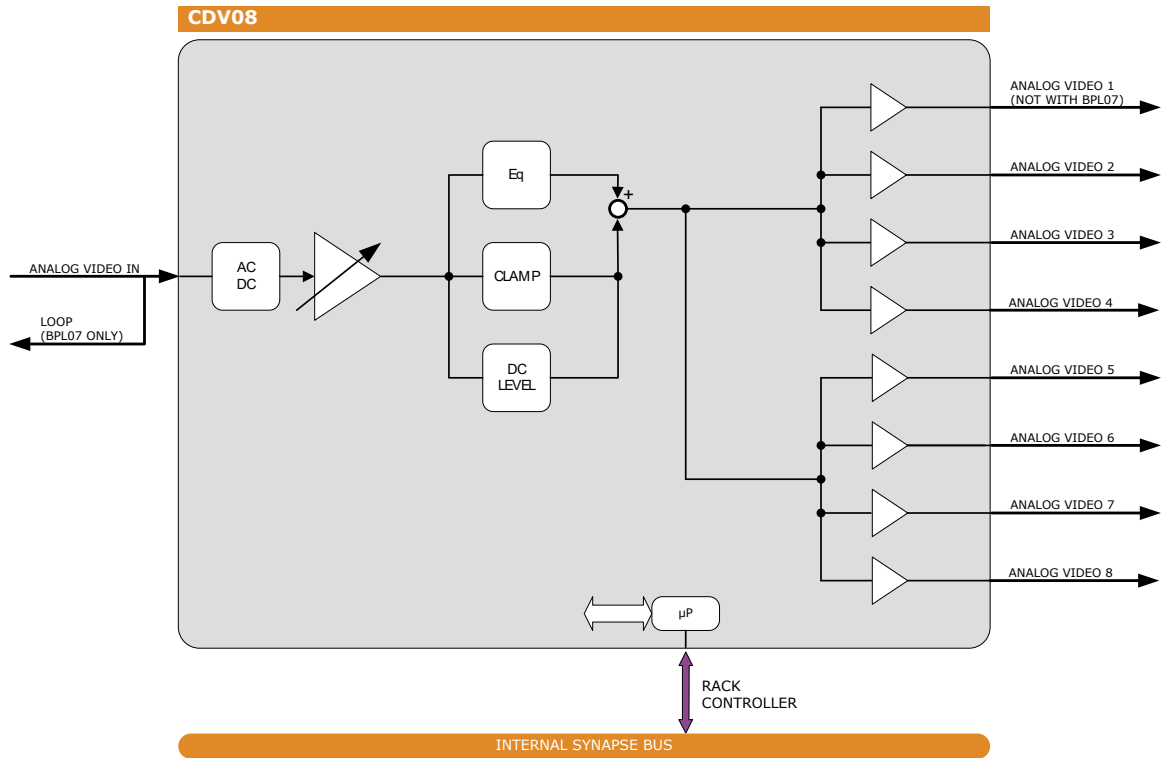
**Analog video distribution amplifier with cable equalizer**

A Synapse® product



Due to constant product research and development all specifications are subject to change without notice. EVS does not warrant or assume any legal liability or responsibility for the accuracy, completeness, availability and/or delivery of the products and/or services listed in this datasheet. Copyright © 2021 EVS

Block schematic & I/O panel



### Features

---

The CDV08 is an enhanced analog distribution amplifier providing a low loss electronically balanced input with loop through when used with the BPL07 or terminated when used with the BPL01. If necessary the input can be used fully floating by unscrewing the tabs on the BPL07.

- Adjustable input gain
- AC or DC coupled
- Equalizer for up to 300 meter of RG59 or equivalent cable
- Equalizer level of up to 230%
- Floating inputs and loop through with BPL07
- +/- 3 dB gain adjustment
- Input status detection
- Full control and status monitoring through the front panel of the SFR04/SFR08/SFR18 frame and the Ethernet port (ACP)

### Applications

---

The CDV08 is designed for applications where a long cable length is used and analog video or Black & Burst signals need equalization. The straightforward design enables easy installation and reliable operation.

### Ordering information

---

**Module:**

- **CDV08:** Analog video distribution amplifier with cable equalizer

**Standard I/O:**

- **BPL01\_CDV08:** I/O panel for CDV08
- **BPL07\_CDV08:** I/O panel for CDV08 with loop through

## Specifications

---

### Analog input

---

<b>Input levels</b>	700 mV. White to black. Nominal 1 V sync tip to white. 75 Ohms terminated with BPL01 Floating with BPL07
<b>Return loss</b>	Measured with Mini Circuits ZFDC-15-6-75 > 40 dB, @ 5 MHz > 36 dB, @ 15 MHz > 28 dB, @ 30 MHz 75 Ohms terminated
<b>Common mode rejection (CMR)</b>	Measured with BPL07 BNC inputs floating CM signal on both inner and outer leads. CM input impedance 5 kOhms. 10 kOhms each input to GND > 68 dB, @ 50Hz > 55 dB, @ 5 MHz > 40 dB, @ 15 MHz > 30 dB, @ 30 MHz

### Analog outputs

---

<b>Output levels</b>	1 V sync tip to white, 75 Ohms terminated
<b>Number of outputs</b>	8 with BPL01, 7 with BPL07
<b>Return loss</b>	Measured with Mini Circuits ZFDC-15-6-75 > 37 dB, @ 5 MHz > 34 dB, @ 15 MHz > 29 dB, @ 30 MHz. Other outputs 75 Ohms terminated

### Performance

---

<b>Frequency response</b>	within 0,4 dB, 0 to 5 MHz.
<b>Signal to noise ratio</b>	66.5 dB. 10KHz to 6MHz, Tektronix VM700T
<b>Bar tilt</b>	0,1 %
<b>Gain stability</b>	1%

### Miscellaneous

---

<b>Weight</b>	Approx. 250g
<b>Operating Temperature</b>	0 °C to +50 °C
<b>Dimensions</b>	137 x 296 x 20 mm (HxWxD)

### Electrical

---

<b>Voltage</b>	+24V to +30V
<b>Power</b>	<5 Watts