



# Synapse

## DAD08

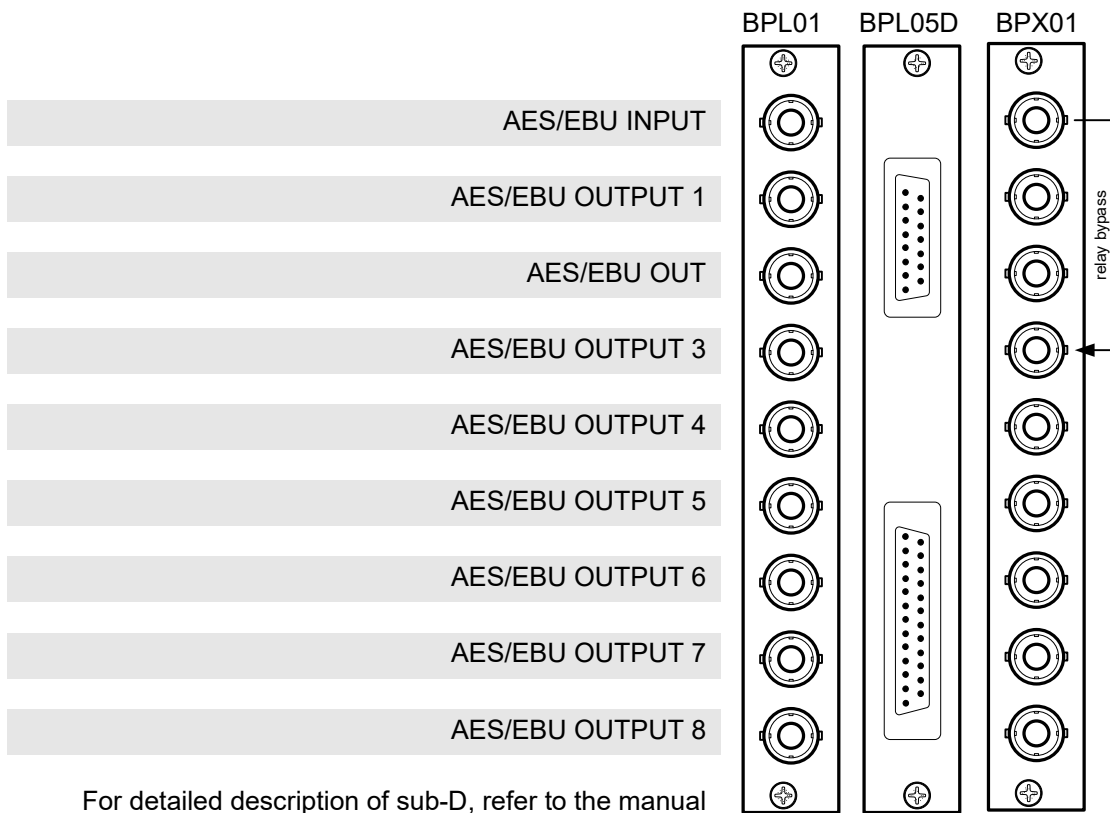
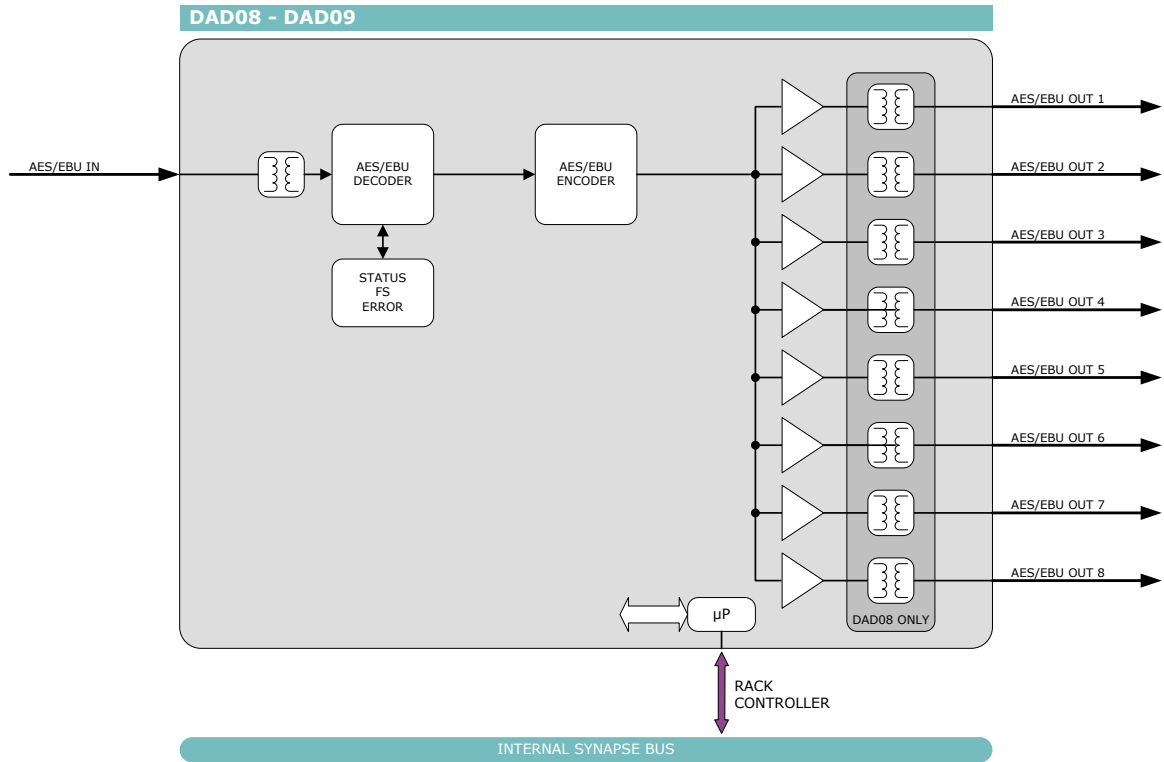
**Digital (AES/EBU) audio distribution amplifier  
(transformer coupled outputs)**

A Synapse® product



Due to constant product research and development all specifications are subject to change without notice. EVS does not warrant or assume any legal liability or responsibility for the accuracy, completeness, availability and/or delivery of the products and/or services listed in this datasheet. Copyright © 2021 EVS

Block schematic & I/O panel



## Features

---

The DAD08 and DAD09 are digital audio distribution amplifiers that distribute a single input to eight outputs. The DAD08/09 accepts AES/EBU or SPDIF (Consumer Interface Format) digital audio input that is then reclocked, buffered and distributed to the eight outputs. The DAD08 has transformer coupled balanced input and outputs, whereas the DAD09 has a transformer coupled balanced input and direct balanced outputs. Multiple regenerated independent low jitter outputs make the DAD08 and DAD09 ideal for the most demanding digital audio signal distribution requirements in both large and small audio and video facilities. Balanced or unbalanced use is automatically selected by use of the appropriate connector panel.

- 8 outputs
- Transformer coupled input
- Transformer coupled outputs (on DAD08 only)
- 32 to 96 kHz compatibility
- Signal present indication
- Sample frequency indication
- Compatible with 110 Ohms and 75 Ohms environments
- Full control and status monitoring through the front panel of the SFR04/SFR08/SFR18 frame and the Ethernet port (ACP)

## Applications

---

- Generic digital audio distribution

## Ordering information

---

### Modules:

- **DAD08:** Digital (AES/EBU) audio distribution amplifier with transformed coupled outputs

### Standard I/O:

- **BPL01\_DAD08:** I/O panel for DAD08 with unbalanced AES/EBU in and unbalanced AES/EBU out.
- **BPL05D\_DAD08:** I/O panel for DAD08 with balanced AES in and balanced AES/EBU out on sub-D

### Relay bypass I/O:

- **BPX01\_DAD08:** I/O panel for DAD08 with relay bypass

## Specifications

---

### AES Audio Input

---

**Connector**

BNC, Screw terminal or sub-D (balanced)

## DIGITAL AUDIO DISTRIBUTION

<b>Standard</b>	AES-1992 for balanced synchronous or asynchronous PCM/AES, SMPTE 276M for single ended synchronous or asynchronous PCM/AES
<b>Number of Inputs</b>	1
<b>Sampling Rate</b>	32 kHz to 96 kHz
<b>Resolution</b>	24 bits
<b>Minimum Input/Output Delay</b>	4 samples
<b>Impedance</b>	110 Ohms or 75 Ohms
<b>Level</b>	0.2V to 1V nom for BNC, 2V to 7V for balanced operation

### AES Audio Output

---

<b>Number of Outputs</b>	1
<b>Connector</b>	BNC, Screw terminal or female sub-D (balanced)
<b>Resolution</b>	24 bits
<b>Sampling Rate</b>	Equal to input

### Miscellaneous

---

<b>Weight</b>	Approx. 250g
<b>Operating Temperature</b>	0 °C to +50 °C
<b>Dimensions</b>	137 x 296 x 20 mm (HxWxD)

### Electrical

---

<b>Voltage</b>	+24V to +30V
<b>Power</b>	<3 Watts