



# Synapse

## DAD26

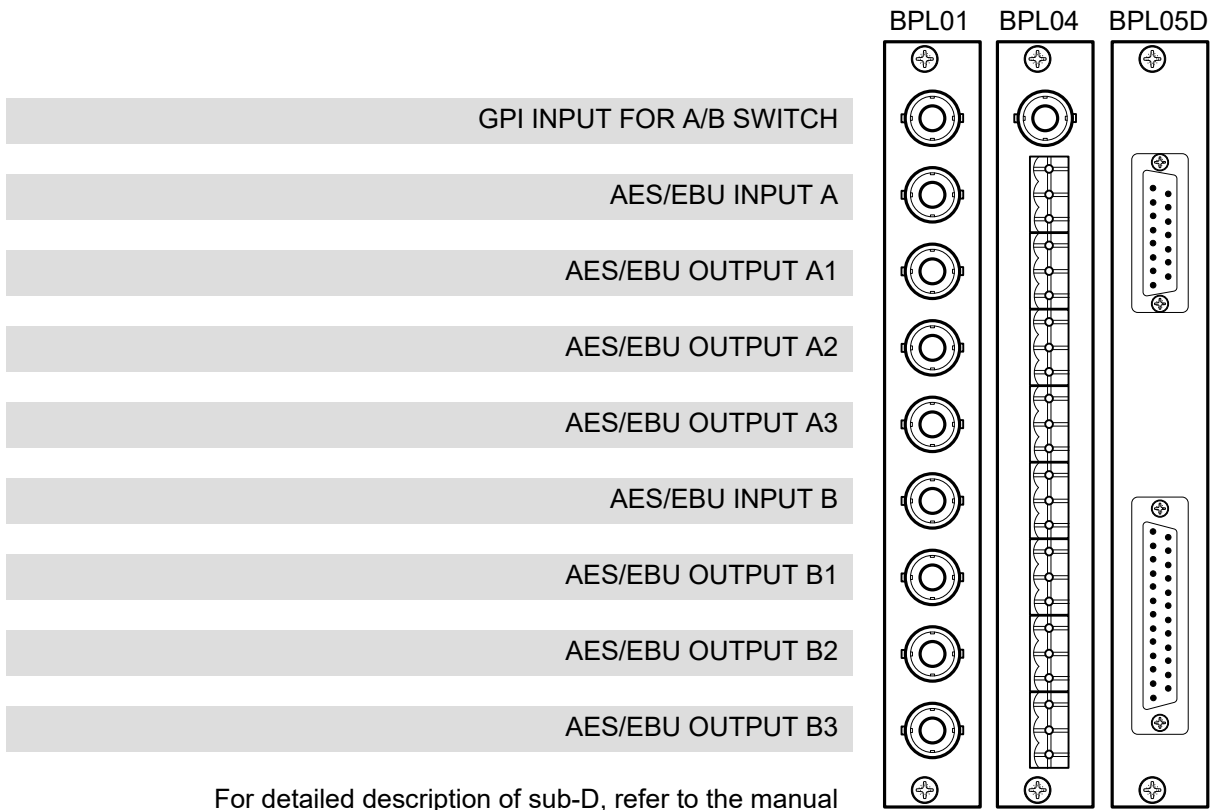
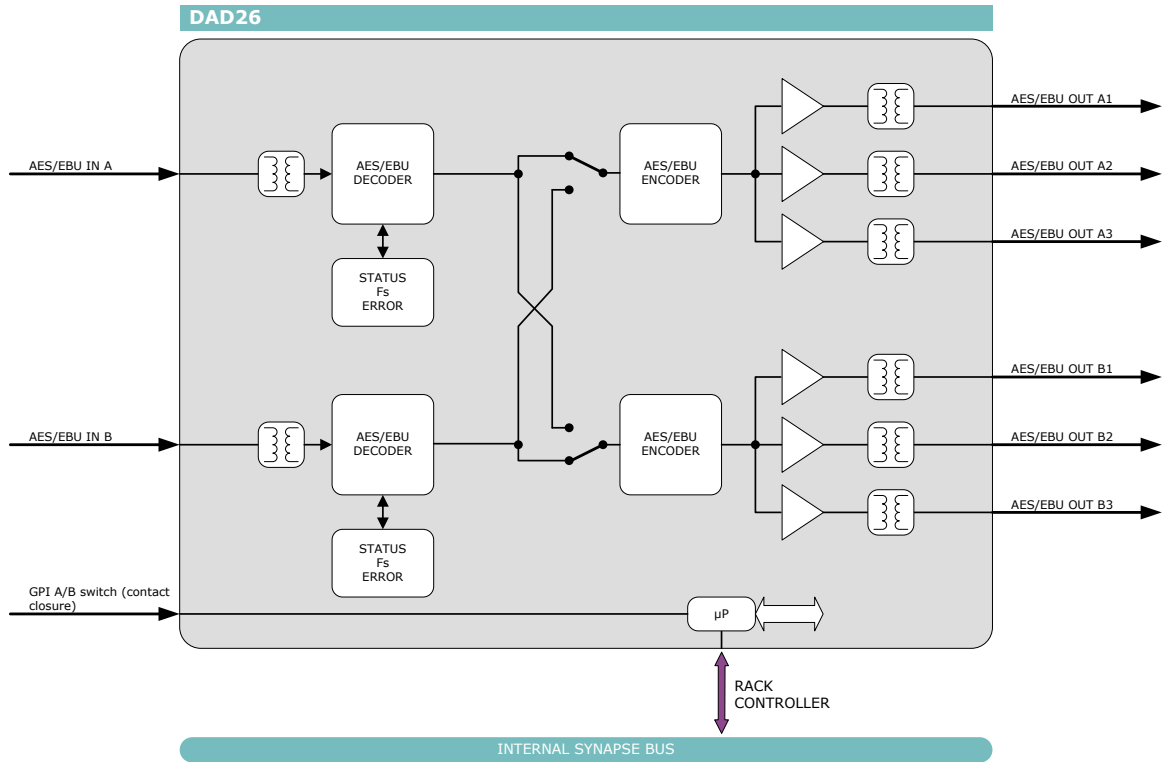
**Dual channel digital (AES/EBU) audio distribution amplifier  
with 2x2 and 2x1 function**

A Synapse® product



Due to constant product research and development all specifications are subject to change without notice. EVS does not warrant or assume any legal liability or responsibility for the accuracy, completeness, availability and/or delivery of the products and/or services listed in this datasheet. Copyright © 2021 EVS

Block schematic & I/O panel



## Features

---

The DAD26 is a dual (AES/EBU) channel digital audio distribution amplifier. It has 2 individual inputs and two times three outputs. All outputs can be assigned to a single input making the device a 1 to 6 DA. A (GPI controlled) switch can be used to enable a 2x2 or 2x1 function. The DAD26 accept AES/EBU or SPDIF (Consumer Interface Format) digital audio input that is then reclocked, buffered and distributed to the dual 3 outputs. The DAD26 has transformer coupled balanced input and outputs and can be used with unbalanced I/O via the BPL01.

Multiple regenerated independent low jitter outputs make the DAD26 ideal for the most demanding digital audio signal distribution requirements in both large and small audio and video facilities. Balanced or unbalanced use is automatically selected by use of the appropriate connector panel.

- 2 Inputs
- 2 x 3 Outputs
- 2x1 or 2x2 function (GPI, Ethernet, signal detection)
- Transformer coupled input
- Transformer coupled outputs
- 32 to 192 kHz compatibility
- Signal present indication
- Sample frequency indication
- Compatible with 110 Ohms and 75 Ohms environments
- Full control and status monitoring through the front panel of the SFR04/SFR08/SFR18 frame and the Ethernet port (ACP)

## Applications

---

- Generic digital audio distribution
- AES/EBU back-up switching

## Ordering information

---

### Modules:

- **DAD26:** Dual channel Digital (AES/EBU) audio distribution amplifier with 2x2 and 2x1 function

### Standard I/O:

- **BPL01\_DAD26:** I/O panel for DAD26 with unbalanced AES/EBU in and unbalanced AES/EBU out.
- **BPL04\_DAD26:** I/O panel for DAD26 with balanced AES/EBU in and balanced AES/EBU out.
- **BPL05D\_DAD26:** I/O panel for DAD26 with balanced AES in and balanced AES/EBU out on sub-D

## Specifications

---

### AES Audio Input

---

<b>Connector</b>	BNC, Screw terminal or female sub-D (balanced)
<b>Standard</b>	AES-1992 for balanced synchronous or asynchronous PCM/AES, SMPTE 276M for single ended synchronous or asynchronous PCM/AES
<b>Number of Inputs</b>	2
<b>Sampling Rate</b>	32 kHz to 192 kHz
<b>Resolution</b>	24 bits
<b>Minimum Input/Output Delay</b>	4 samples
<b>Impedance</b>	110 Ohms or 75 Ohms
<b>Level</b>	0.2V to 1V nom for BNC, 2V to 7V for balanced operation

### AES Audio Output

---

<b>Number of Outputs</b>	2x 3
<b>Connector</b>	BNC, Screw terminal or female sub-D (balanced)
<b>Resolution</b>	24 bits
<b>Sampling Rate</b>	Equal to input

### Miscellaneous

---

<b>Weight</b>	Approx. 250g
<b>Operating Temperature</b>	0° C to + 50° C
<b>Dimensions</b>	137 x 296 x 20 mm (HxWxD)

### Electrical

---

<b>Voltage</b>	+24V to +30V
<b>Power</b>	<3 Watts