



Synapse

DVO48

Voice over card with quad speed ADD-ON bus

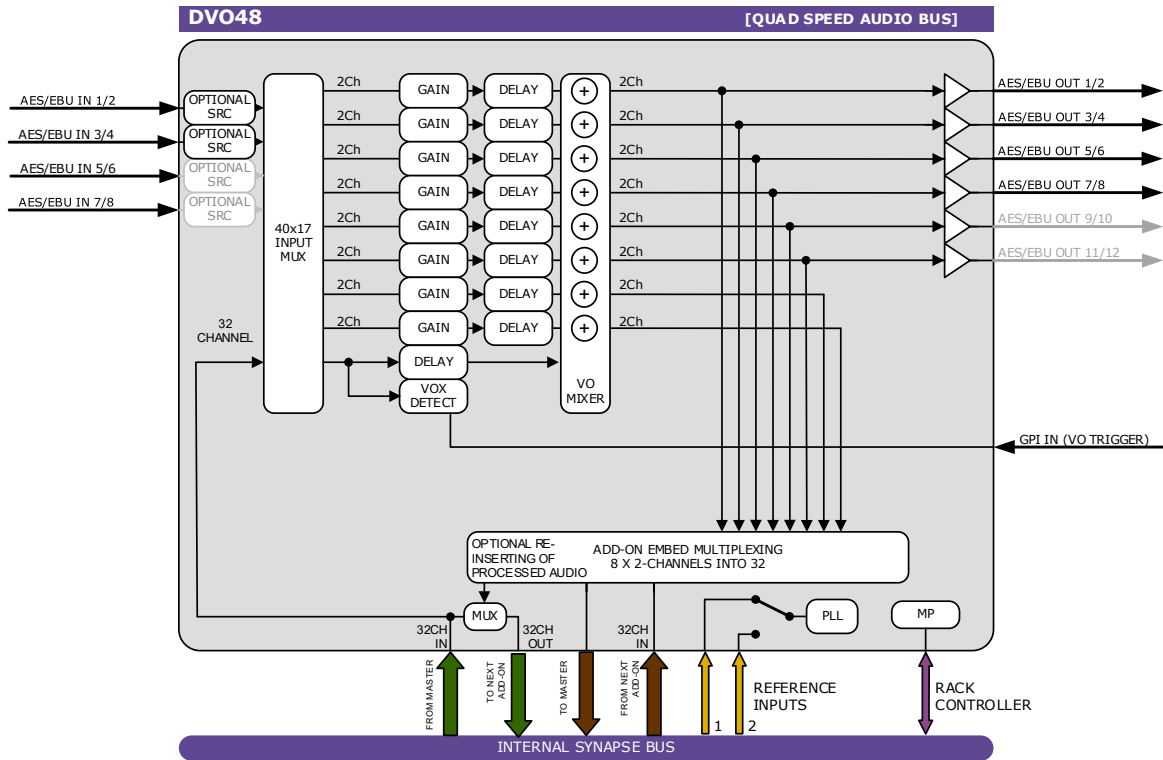
A Synapse® product

Quad speed
ADD-ON

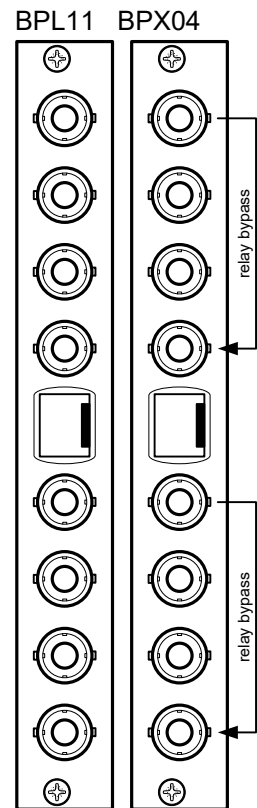


Due to constant product research and development all specifications are subject to change without notice. EVS does not warrant or assume any legal liability or responsibility for the accuracy, completeness, availability and/or delivery of the products and/or services listed in this datasheet. Copyright © 2021 EVS

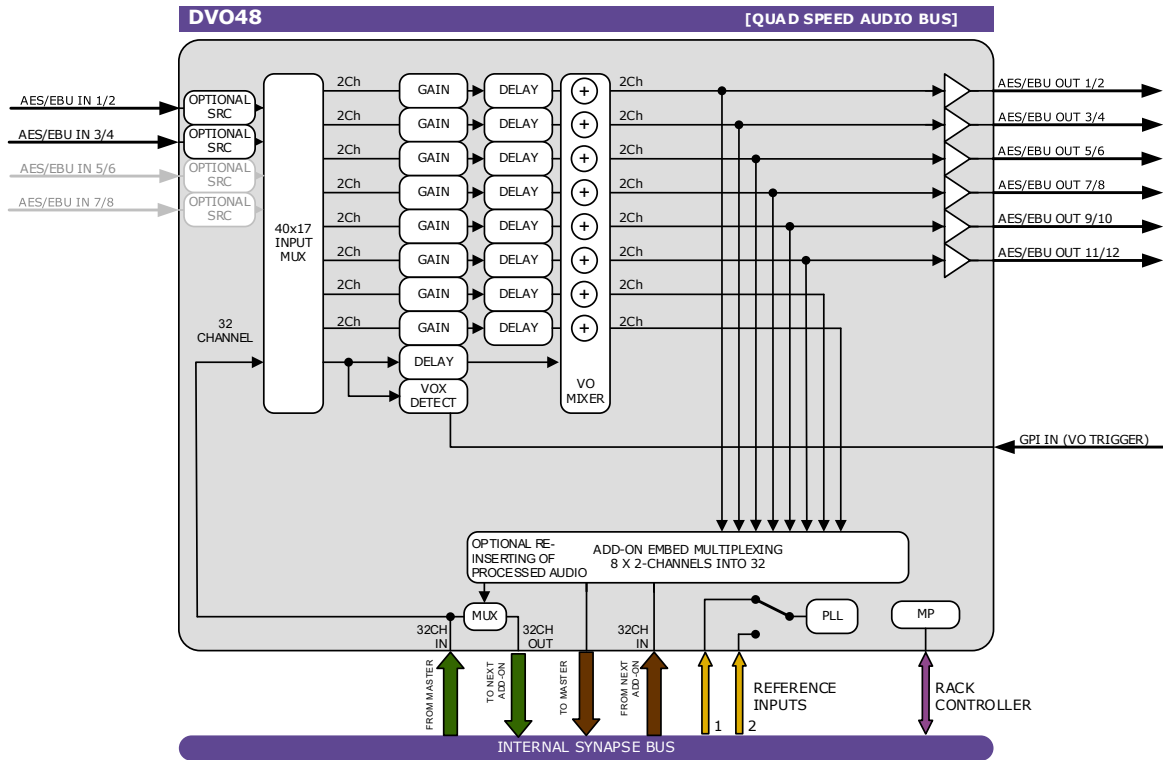
Block schematic & I/O panel [MODE 1]



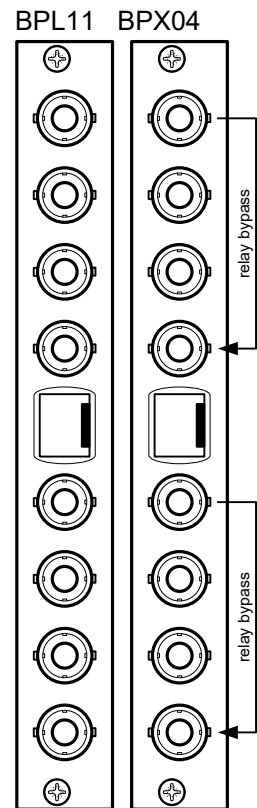
- AES/EBU IN 1/2
- AES/EBU IN 3/4
- AES/EBU OUT 1/2
- AES/EBU OUT 3/4
- GPI
- AES/EBU OUT 5/6
- AES/EBU OUT 7/8
- AES/EBU IN 5/6
- AES/EBU IN 7/8



Block schematic & I/O panel [MODE 2]



- AES/EBU IN 1/2
- AES/EBU IN 3/4
- AES/EBU OUT 1/2
- AES/EBU OUT 3/4
- GPI
- AES/EBU OUT 5/6
- AES/EBU OUT 7/8
- AES/EBU OUT 9/10
- AES/EBU OUT 11/12



Features

The DVO48 is an AES/EBU Voice over card. The Synapse quad speed audio bus enables up to 32 channels being transported from Master Card to ADD-ON card and simultaneously 32 channels from ADD-ON card(s) to Master Card.

The voice over can be activated by GPI or by a level trigger (voice)

- Voice activated Voice Over engine that can be applied to any of the 16 internal streams
 - GPI trigger of VO is included
 - GPI can be used as 'cough button' to mute unwanted voice activated mixing
- 16 channel PCM processing capabilities
- Quad speed audio bus for convenient routing of ADD-ON channels
- Optional re-inserting of processed audio for downstream post-processing into other quad speed bus devices
- 2 or 4 physical stereo AES/EBU inputs and 16 stereo bus inputs.
- 4 or 6 physical stereo AES/EBU (can contain Dolby Bit streams) outputs and 8 stereo (into 16 stereo) bus outputs
- 16x 2 channel audio insertion into 32 channel Quad speed audio bus (allows for duplicates)
- Full control and status monitoring through the front panel of the SFR04/SFR08/SFR18 frame and the Ethernet port (ACP)

Compatible Master Cards:

- G/HDK100, G/HXT110, G/HPD100, G/HED100 and all future Quad Speed Audio bus enabled Master Cards

Applications

- Voice over application in multi channel environments

Ordering information

Module:

- **DVO48:** Universal triple Voice Over card into 16 channel I/O

Standard I/O:

- **BPL11_DVO48:** I/O panel for DVO48 with unbalanced AES/EBU in and out
- **BPX04_DVO48:** I/O panel with relay bypass (caution not in all modes) for DVO48 with unbalanced AES/EBU in and out

Specifications

AES Audio Input

| | |
|-----------------------------------|---|
| Connector Standard | BNC 75 Ohm AES-1992 for synchronous or asynchronous PCM/AES, SMPTE 276M for single ended synchronous or asynchronous PCM/AES |
| Number of physical Inputs | Up to 8 depending on mode |
| Sampling Rate | 32 kHz to 192 kHz converted to 48kHz internally or Synchronous 48 kHz in SRC transparent mode |
| Resolution | 24 bits when AES inputs selected, 20 bits in SD Master/ADD-ON mode |
| Minimum Input/Output Delay | 1 ms |
| Impedance | 75 Ohms |
| Level | 0.2V to 1V nom |

AES Audio Output

| | |
|--|---------------------------|
| Number of physical Outputs | Up to 8 depending on mode |
| Connector | BNC 75 Ohms |
| Resolution | 24 bits |
| Sampling Rate | 48KHz synchronous |
| Minimum Input/Output delay | 1ms |
| Maximum Input/Output offset delay | 1300 ms |

Miscellaneous

| | |
|------------------------------|---------------------------|
| Weight | Approx. 250g |
| Operating Temperature | 0 °C to +50 °C |
| Dimensions | 137 x 296 x 20 mm (HxWxD) |

Electrical

| | |
|----------------|--------------|
| Voltage | +24V to +30V |
| Power | <7 Watts |