



Synapse

ERC108/118

ERS108/118

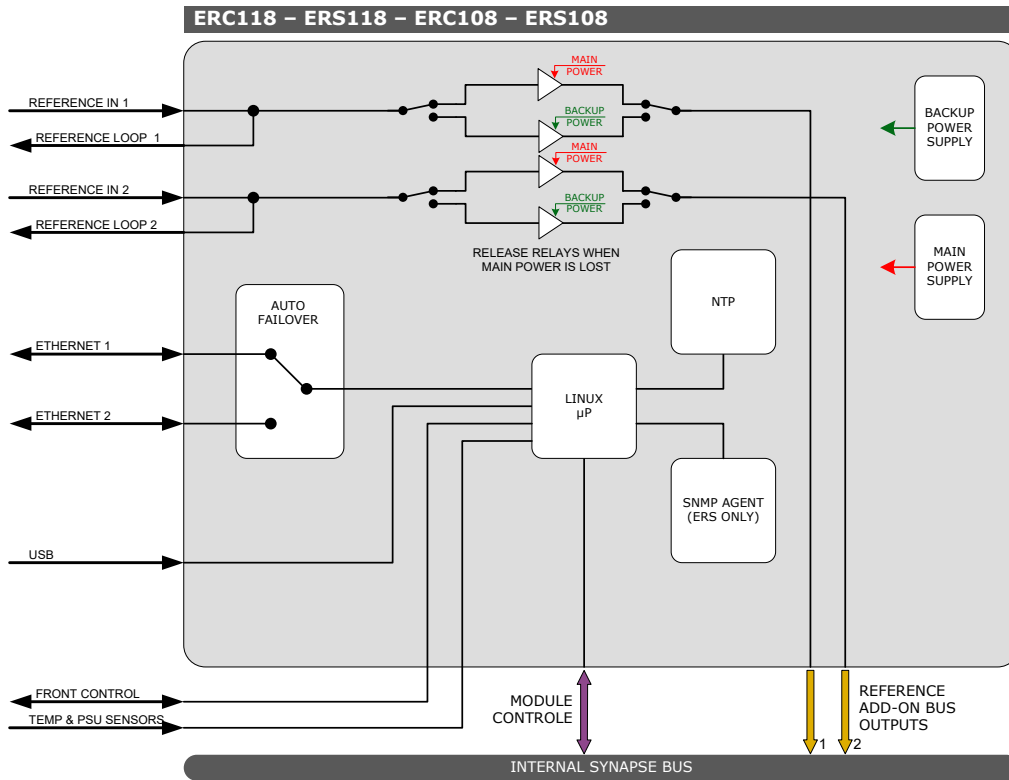
Enhanced rack controller for SFR08 and SFR18 with optional
SNMP agent (ERS only)

A Synapse® product

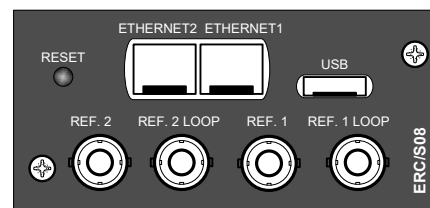


Due to constant product research and development all specifications are subject to change without notice. EVS does not warrant or assume any legal liability or responsibility for the accuracy, completeness, availability and/or delivery of the products and/or services listed in this datasheet. Copyright © 2021 EVS

Block schematic & I/O panel



- REFERENCE INPUT 1
- LOOP OF REFERENCE INPUT 1
- REFERENCE INPUT 2
- LOOP OF REFERENCE INPUT 2
- USB INTERFACE
- ETHERNET 1
- ETHERNET 2 (FAILOVER)
- RESET BUTTON



Features

The ERC/ERS108 and 118 are the central controllers of the Synapse SFR18 and SFR08 system frame. The ERS108/118 includes an SNMP agent. It is used to configure, control and monitor Synapse systems and to provide network connectivity. The ERS/ERC also provides an input for two independent references with loop through.

- TCP/IP and UDP support
- Support for up to 2 NTP servers
- PSU status announcements
- Temperature measurement of frame
- Dual redundant gigabit Ethernet
- USB interface (future use)
- Dual reference inputs with loop
- Supports reference distribution of Bi-Level sync, Tri-Level sync and Word Clock
- Reset button

Ordering information

- **ERC118:** Central rack controller for the Synapse SFR18 system frame
- **ERS118:** Central rack controller for the Synapse SFR18 system frame with SNMP agent
- **ERC108:** Central rack controller for the Synapse SFR08 system frame
- **ERS118:** Central rack controller for the Synapse SFR08 system frame with SNMP agent

Specifications

Reference video input

Standard	PAL (ITU624-4), NTSC (SMPTE 170M)
Number of Inputs	2
Connector	BNC
Signal level	Tri-level 600mVp-p nominal, Bi-level 300mVp-p nominal 75 Ohm terminated
Impedance	High impedance, with loop for termination
Return Loss	>25dB to 10MHz

Ethernet

Interface	Shielded Twisted Pair (STP)
Data rate	10BASE-T/100BASE-TX/1000BASE-T full duplex
Connector	RJ45
Number of interfaces	2 (auto failover)

USB

Data rate	USB 2.0 (480Mbits/second)
Connector	Female USB type A

Electrical

Voltage	24V to 30V
Power	Card <5.2W, fans up to 13W, USB <2.5W

Miscellaneous

Weight	Approx. 180g
Operation Temperature	0° C to 50° C