



Synapse

GDR108

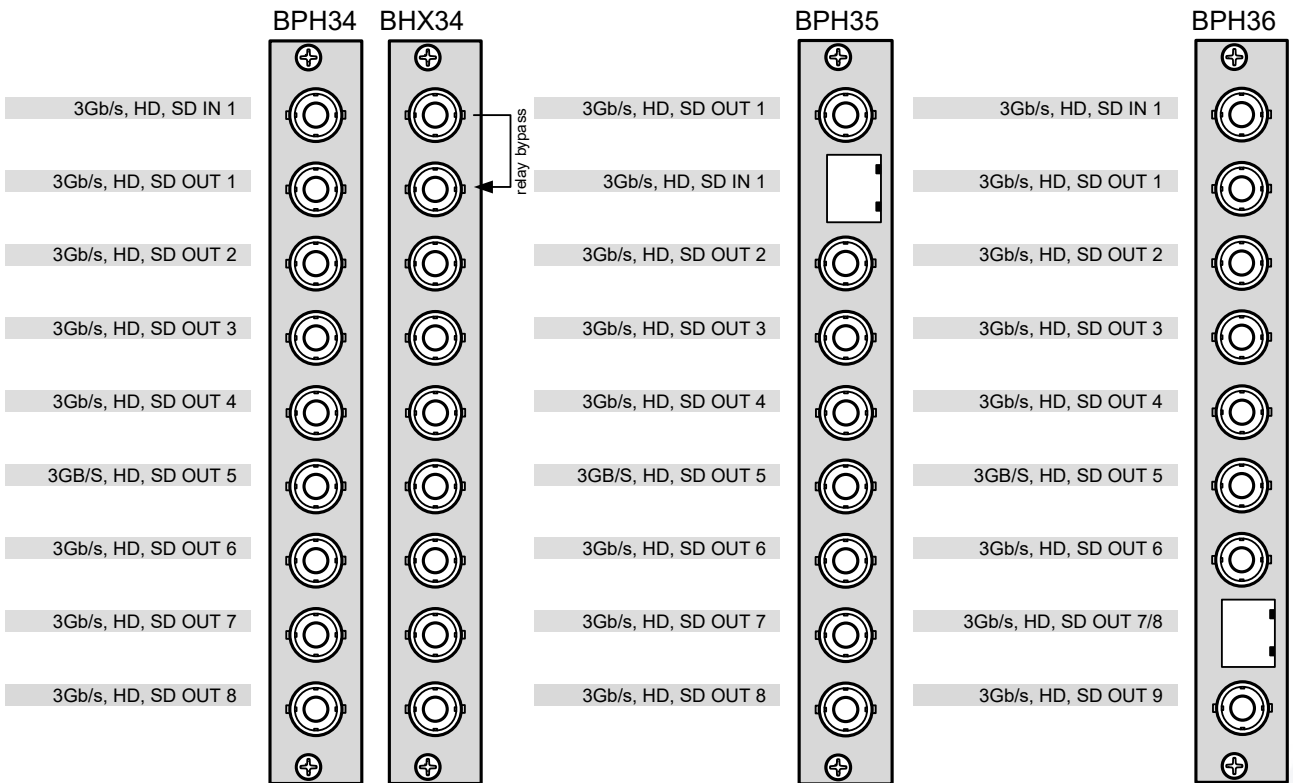
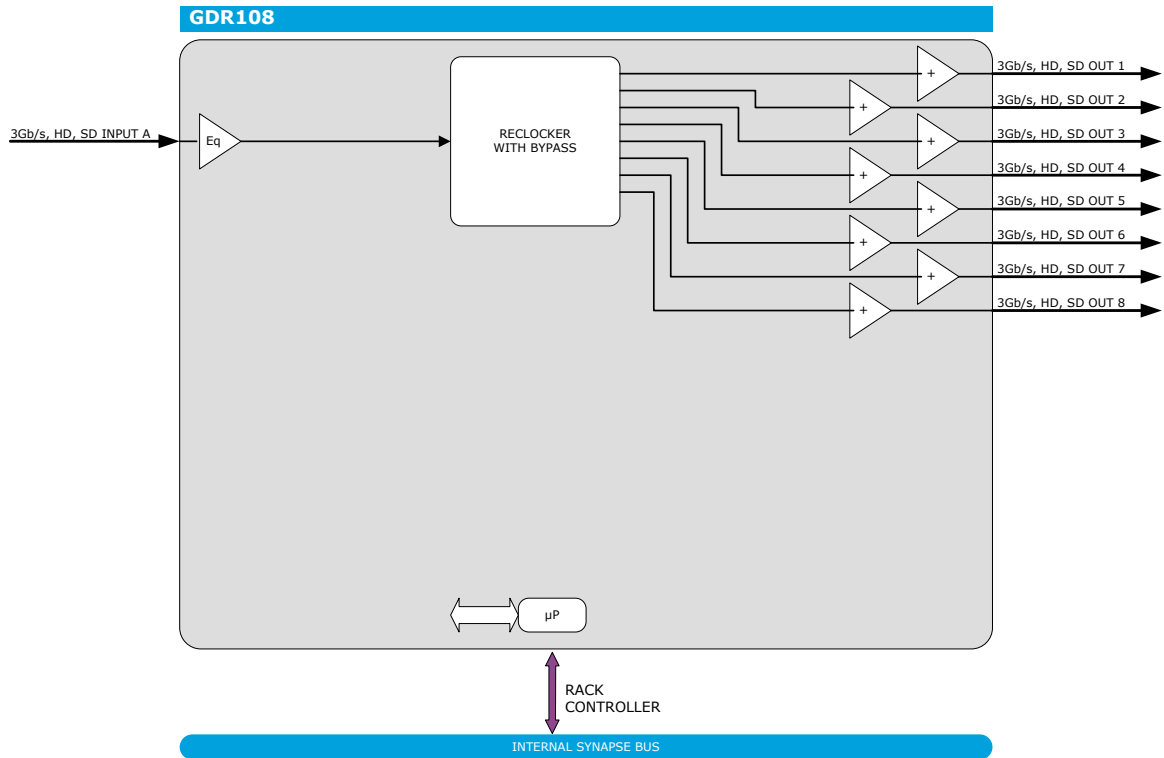
3Gb/s, HD and SD distribution amplifier with 8 reclocked outputs
(ASI/DVB compatible)

A Synapse® product



Due to constant product research and development all specifications are subject to change without notice. EVS does not warrant or assume any legal liability or responsibility for the accuracy, completeness, availability and/or delivery of the products and/or services listed in this datasheet. Copyright © 2021 EVS

Block Schematic & I/O panel



Features

The GDR108 is a single channel 3Gb/s, HD, SD SDI reclocking distribution amplifier. This card is ASI/DVB compatible

- Compatible with:
 - SD SDI 270 Mbit/s (SMPTE 259M)
 - HD SDI 1485 Mbit/s (SMPTE 292M)
 - 3Gb/s SDI 2970 Mbit/s (SMPTE 424M)
 - ASI/DVB
- Bypass function of the reclocker for non-standard frequencies
- Choice of IO standards through use of SFP modules
 - Single Fiber, CVBS, SDI or HDMI input with BPH35
 - Dual fiber, dual CVBS, dual SDI outputs with BPH36

Applications

The GDR108 can be used as a single channel generic wideband 3Gb/s DA

Ordering information

Module:

- **GDR108:** 3Gb/s, HD, SD-SDI reclocking distribution amplifier

Standard I/O:

- **BPH34_GDR108:** I/O-panel for GDR108

Relay bypass I/O:

- **BHX34_GDR108:** I/O-panel with relay bypass for GDR108

SFP I/O:

- **BPH35_GDR108:** I/O-panel with SFP module input option
- **BPH36_GDR108:** I/O-panel with SFP module output option

Specifications

Video Input

Standard	3Gb/s ,HD and SD SDI: SMPTE424, SMPTE259M, SMPTE 292M
Number of Inputs	1
Connector	BNC
Equalization	Typical maximum equalized length of Belden 1694A cable: 150m at 2.97Gb/s, 150m at 1.485Gb/s, and 190m at 270Mb/s
Return Loss	> 15dB up to 3GHz

Serial Video Output

Standard	3Gb/s ,HD and SD SDI: SMPTE424, SMPTE259M, SMPTE 292M
Number of Outputs	8 (configurable)
Connector	BNC
Signal Level	800mV nominal
DC Offset	0V \pm 0.5V
Rise/Fall Time	135ps nominal
Overshoot	< 10% of amplitude
Return Loss	> 15dB up to 1.5GHz (typ.) > 10dB up to 3GHz (typ.)
Wideband Jitter	< 0.2UI

Miscellaneous

Weight	Approx. 250g
Operating Temperature	0 °C to +50 °C
Dimensions	137 x 296 x 20 mm (HxWxD)

Electrical

Voltage	+24V to +30V
Power	<6 Watts