



# Synapse

## GDR416

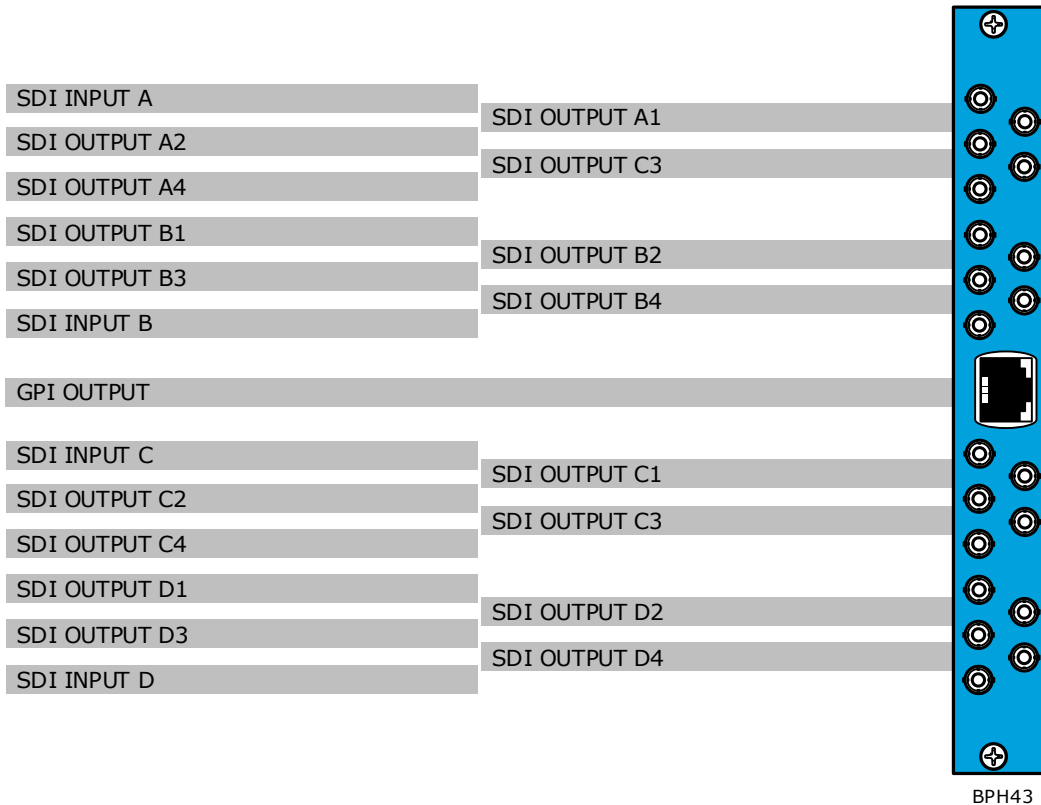
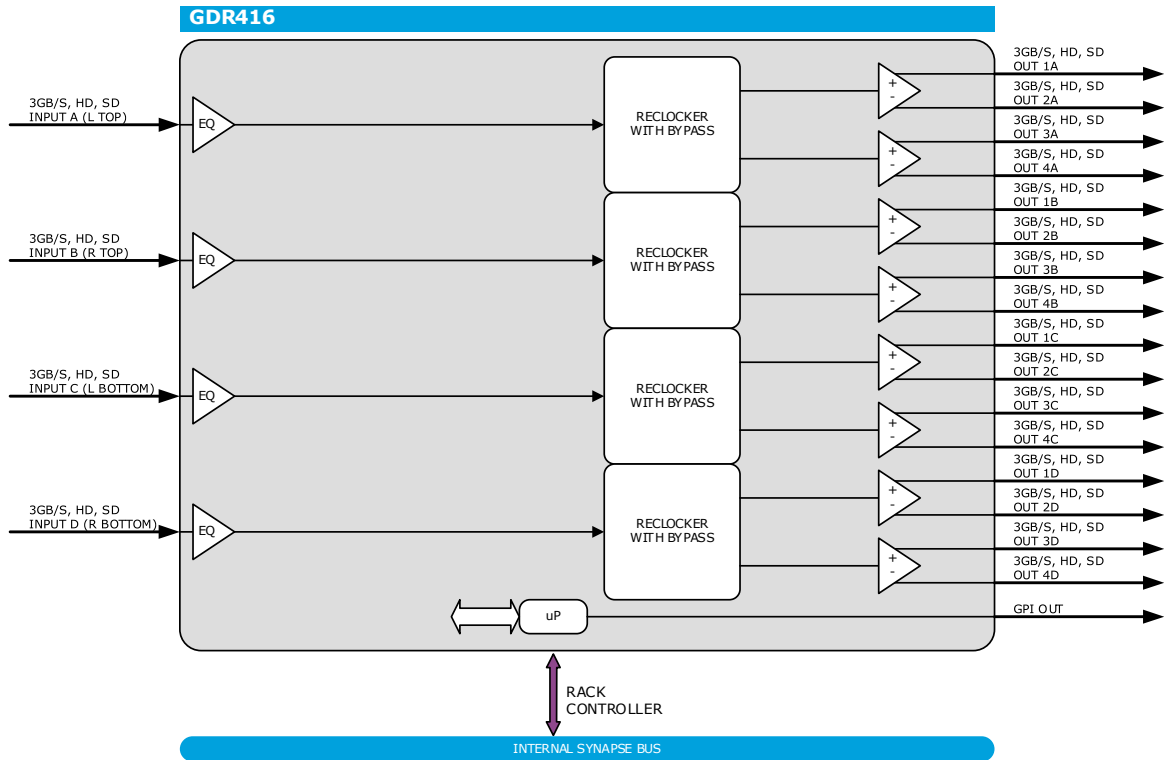
4K, 3Gb/s, HD and SD four input distribution amplifier with 4 reclocked outputs per channel

A Synapse® product

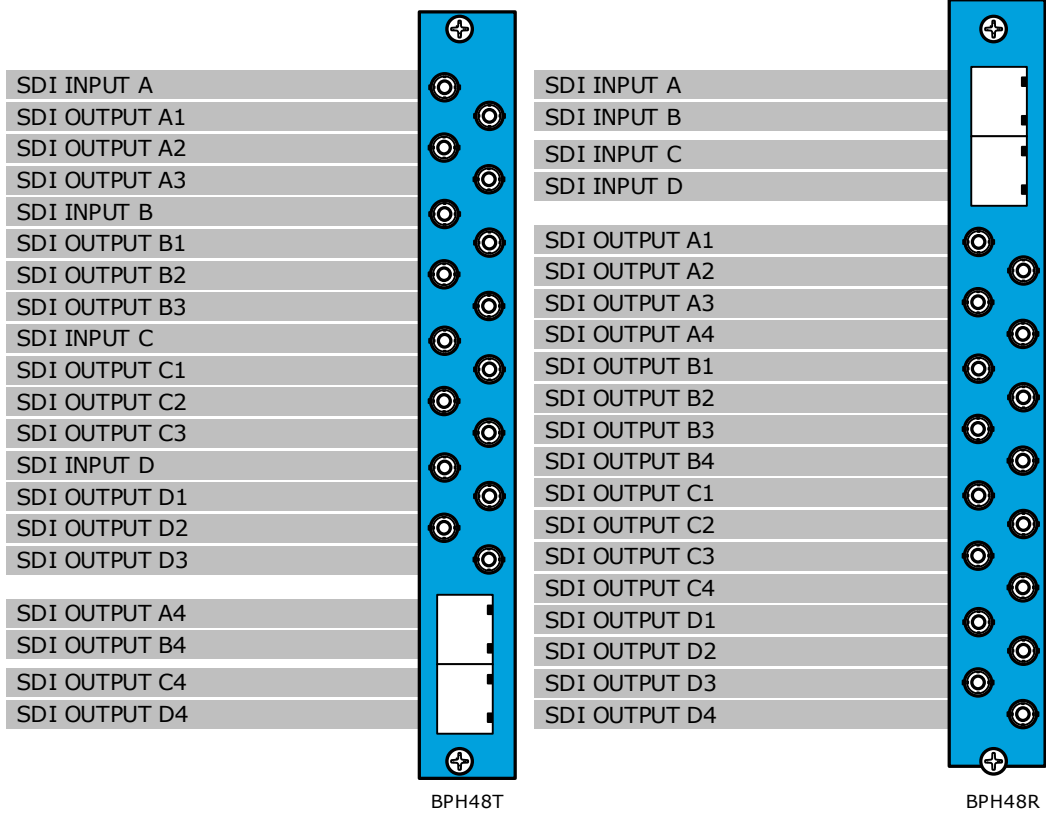


Due to constant product research and development all specifications are subject to change without notice. EVS does not warrant or assume any legal liability or responsibility for the accuracy, completeness, availability and/or delivery of the products and/or services listed in this datasheet. Copyright © 2021 EVS

Block Schematic & I/O panel



# DIGITAL VIDEO DISTRIBUTION



## Features

---

The GDR416 is a four channel 3Gb/s, HD, SD SDI reclocking distribution amplifier.

- Quad channel DA with 16 outputs
- Conversions between SMPTE standards
- GPI controlled input swapping and status monitoring (BPH38)
  - GPO-0 = Carrier detect A
  - GPO-1 = Carrier detect B
  - GPO-2 = Carrier detect C
  - GPO-3 = Carrier detect D
- Compatible with:
  - SD SDI 270 Mbit/s (SMPTE 259M)
  - HD SDI 1485 Mbit/s (SMPTE 292M)
  - 3Gb/s SDI 2970 Mbit/s (SMPTE 424M)
  - ASI/DVB only on positive outputs
- Bypass function of the reclocker for non-standard frequencies
- Flexible choice of IO standards through use of SFP modules
  - Flexible output choice with BPH48T. 2x fiber, 2x CVBS, 2x SDI outputs or 1x HDMI output
  - Flexible input choice with BPH48R. Options; fiber, CVBS or SDI or HDMI input

## Applications

---

- 4K generic wideband DA
- Quad channel generic wideband 3Gb/s DA
- E2O Electrical to Optical converter with BPH48T back panel
- O2E Optical to Electrical converter with BPH48R back panel

## Ordering information

---

### Module:

- **GDR416:** 3Gb/s, HD, SD-SDI quad reclocking distribution amplifiers

### Standard I/O:

- **BPH43\_GDR416:** I/O-panel for GDR416

### Relay bypass I/O:

- **BHX43\_GDR416:** I/O-panel for GDR416 with relay bypass

### SFP I/O:

- **BPH48T\_GDR416:** I/O-panel for GDR416 with SFP module output options
- **BPH48R\_GDR416:** I/O-panel for GDR416 with SFP module input options

## Specifications

---

### Video Input

---

<b>Standard</b>	3Gb/s ,HD and SD SDI: SMPTE425-5/6, SMPTE424, SMPTE259M, SMPTE 292M
<b>Number of Inputs</b>	4
<b>Connector</b>	DIN1.0/2.3, BNC, Fiber LC
<b>Equalization</b>	Typical maximum equalized length of Belden 1694A cable: 120m at 2.97Gb/s, 120m at 1.485Gb/s, and 150m at 270Mb/s
<b>Return Loss</b>	> 15dB up to 3GHz

### Serial Video Output

---

<b>Number of Outputs</b>	16 (configurable)
<b>Connector</b>	DIN1.0/2.3 and Fiber LC
<b>Signal Level</b>	800mV nominal
<b>DC Offset</b>	0V $\pm$ 0.5V
<b>Rise/Fall Time</b>	135ps nominal
<b>Overshoot</b>	< 10% of amplitude
<b>Return Loss</b>	> 15dB up to 1.5GHz (typ.) > 10dB up to 3GHz (typ.)
<b>Wideband Jitter</b>	< 0.2UI

### GPI Output (BPH43)

---

<b>Number of Outputs</b>	4
<b>Connector</b>	RJ45
<b>Type</b>	>2.5 Volts High Level, <0.8V Low Level

### Miscellaneous

---

<b>Weight</b>	Approx. 250g
<b>Operating Temperature</b>	0 °C to +50 °C
<b>Dimensions</b>	137 x 296 x 20 mm (HxWxD)

### Electrical

---

<b>Voltage</b>	+24V to +30V
<b>Power</b>	<6 Watts