



Synapse

GDS010

HDS010

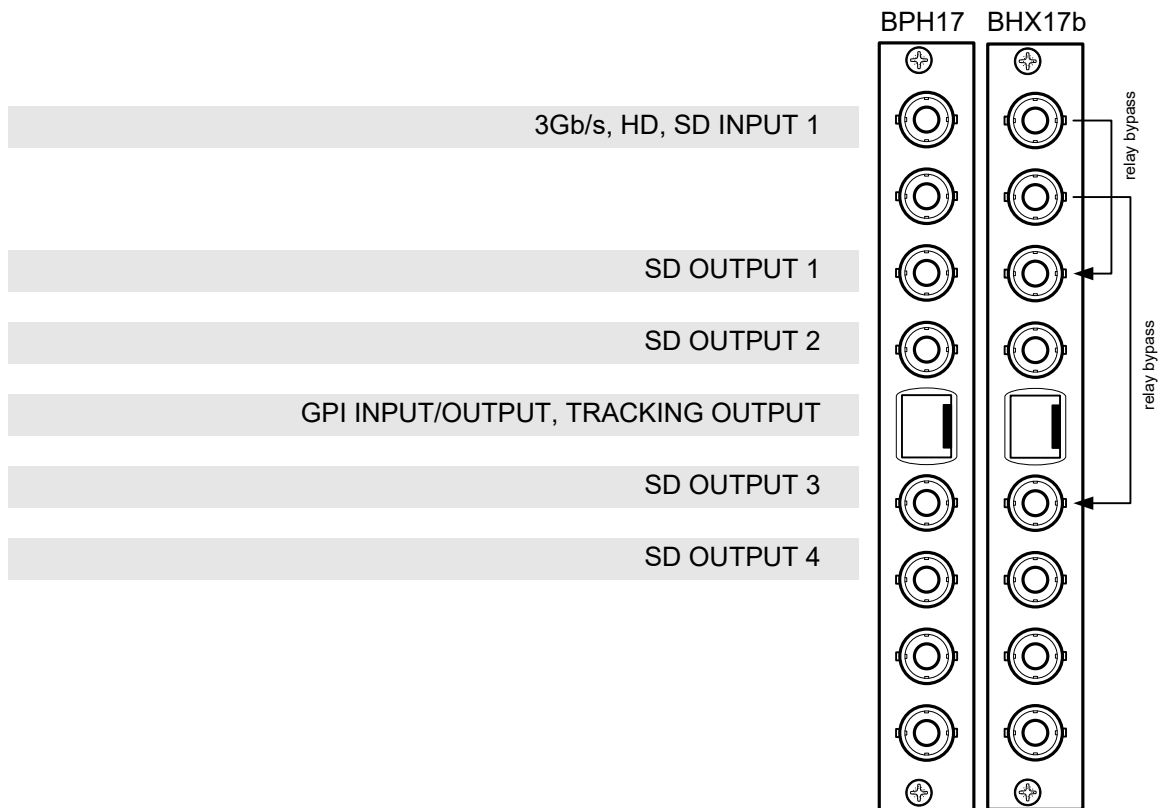
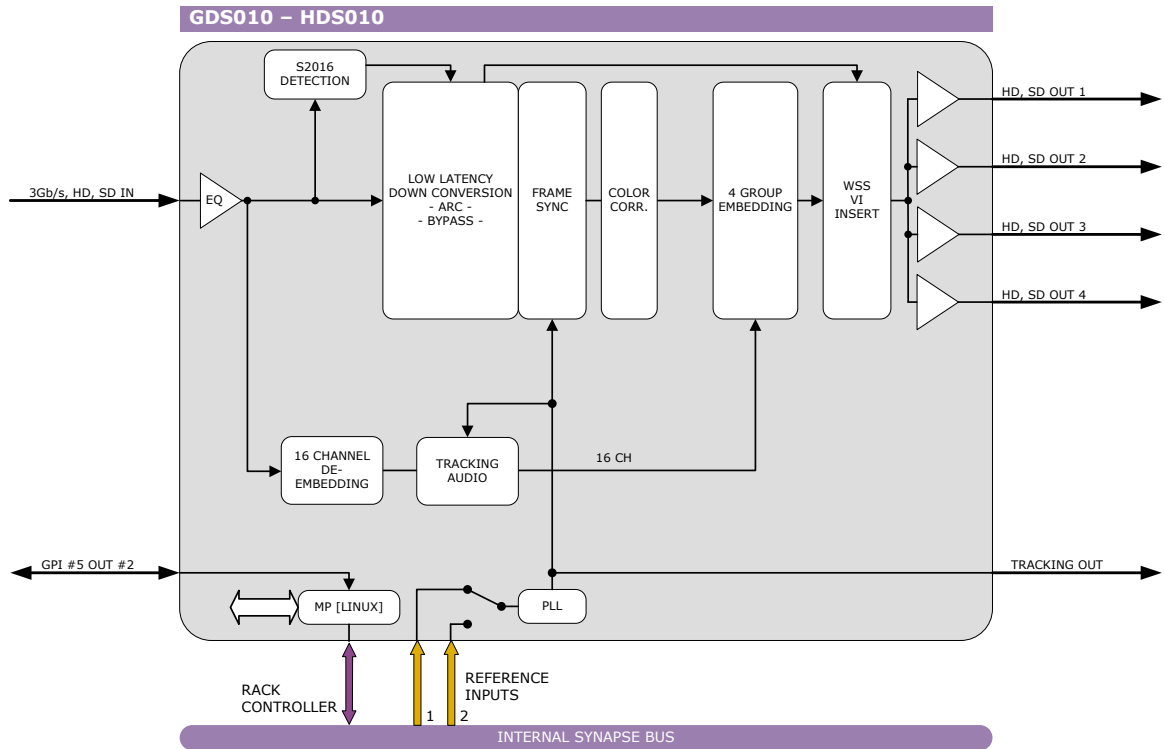
3Gb/s, HD, SD basic down converter/synchronizer

A Synapse® product



Due to constant product research and development all specifications are subject to change without notice. EVS does not warrant or assume any legal liability or responsibility for the accuracy, completeness, availability and/or delivery of the products and/or services listed in this datasheet. Copyright © 2021 EVS

Block schematic & I/O panel



Features

The GDS010 and HDS010 are *low latency* down converters with 16 channel audio transparency. The powerful matrix multiplexer can feed audio from the embedded domain into the Synapse bus to an ADD-ON card like the DIO48.

The GDS010 is compatible with 270Mb/s, 1.5Gb/s and 3Gb/s for full 1080p/50 or 1080p/59.94 use. The HDS010 are compatible with SD-SDI (270Mb/s) and HD-SDI (1.5Gb/s) and can be future upgraded to 3Gb/s compatibility

- Low latency conversion process (as low as 1 field in controlled timing environment)
- Compatible with the following input formats (auto selecting):
 - 1080p/59.94 (2GS only)
 - 1080p/50 (2GS only)
 - 1080i/59.94
 - 1080i/50
 - 1080p/23.98
 - 1080psf/23.98
 - 720p/59.94
 - 720p/50
 - 720p/23.98
 - SD525
 - SD625
- Output standards (one standard can be chosen for both outputs simultaneously): SD525, SD625
- Frame sync with output phase control in Lines and pixels with respect to reference.
- ARC modes contain:
 - Anamorphic
 - Center Cut
 - V-Zoom
 - LBox-16:9
 - LBox-14:9
 - PBox-4:3
 - PBox-14:9
 - Variable H and V (50—200%)
- 16 Free individual programmable presets banks for:
 - Down converter ARC A and B
 - Transparent ARC A and B
 - VI/WSS/S2016 insertion A and B
 - Embedder shuffling/Gain/Phase (-110 only)
- 5 GPI inputs assignable to various preset banks
- ARC triggers by VI, WSS, WSSext and S2016 (AFD)
- Transparent for 16 channels of embedded audio
- Video proc-amp (Y and C control)
- Color corrector (RGB and total gain, RGB and total black)
- Hue control for NTSC inputs
- Locks to Bi-level syncs or SDI input
- OP47 to WST cross conversion
- Timecode cross conversion
- Auxiliary timecode input, allowing for 2 separate timecodes
- CC-708 to CC-608 conversion
- 6 Line Vertical Ancillary Blanking transparency in transparent mode
- Full control and status monitoring through the front panel of the SFR04/SFR08/SFR18 frame and the Ethernet port (ACP)

Applications

Basic down conversion with transparent audio

Conversion abilities

The GDS-HDS010 can handle the following conversions:

CONVERSION		Output										
		1080psf23.97	1080p23.97	1080p50*	1080p59.94*	1080i59.94	1080i50	720p59.94	720p50	720p23.98	480i59.94(525)	576i50(625)
SDI Input	1080psf23.97	x									x	
	1080p23.97		x								x	
	1080p50*			x								x
	1080p59.94*				x						x	
	1080i59.94					x					x	
	1080i50						x					x
	720p59.94							x			x	
	720p50								x			x
	720p23.98									x	x	
	480i59.94(525)										x	
576i50(625)											x	

* = GDS models only

Ordering information

Module:

- **GDS010:** 3Gb/s, HD, SD down converter
- **HDS010:** HD, SD down converter*

Standard I/O:

- **BPH17_GDS010:** I/O-panel for GDS010

Relay bypass I/O:

- **BHX17b_GDS010:** I/O-panel for GDS010 with backup relay

* Upgradeable to 3Gb/s

Specifications

Serial Video Input

Standard	SD,HD and 3Gb/s SDI: SMPTE 292M, SMPTE 259M, SMPTE424
Number of Inputs	2
Connector	BNC
Equalization	Typical maximum equalized length of Belden 1694A cable: 90m at 2.97Gb/s, 120m at 1.485Gb/s, and 250m at 270Mb/s
Return Loss	> 15dB up to 1.5GHz

Serial Video Output

Number of Outputs	4
Connector	BNC
Signal Level	800mV nominal
DC Offset	0V \pm 0.5V
Rise/Fall Time	135ps nominal
Overshoot	< 10% of amplitude
Return Loss	> 15dB up to 1.5GHz (typ.) > 10dB up to 3GHz (typ.)
Wideband Jitter	< 0.2UI

Reference Input through RRC

Number of Inputs	2 on SFR18, 2 on SFR08 and 1 on SFR04
Bi-level	PAL Black Burst ITU624-4/SMPTE318, Composite NTSC SMPTE 170M 1Vp-p nominal, 75 Ohms terminated through loop

Miscellaneous

Weight	Approx. 450g
Operating Temperature	0 °C to +40 °C
Dimensions	137 x 296 x 20 mm (HxWxD)

Electrical

Voltage	+24V to +30V
Power	<17 Watts