



Synapse

GDV100

HDV100

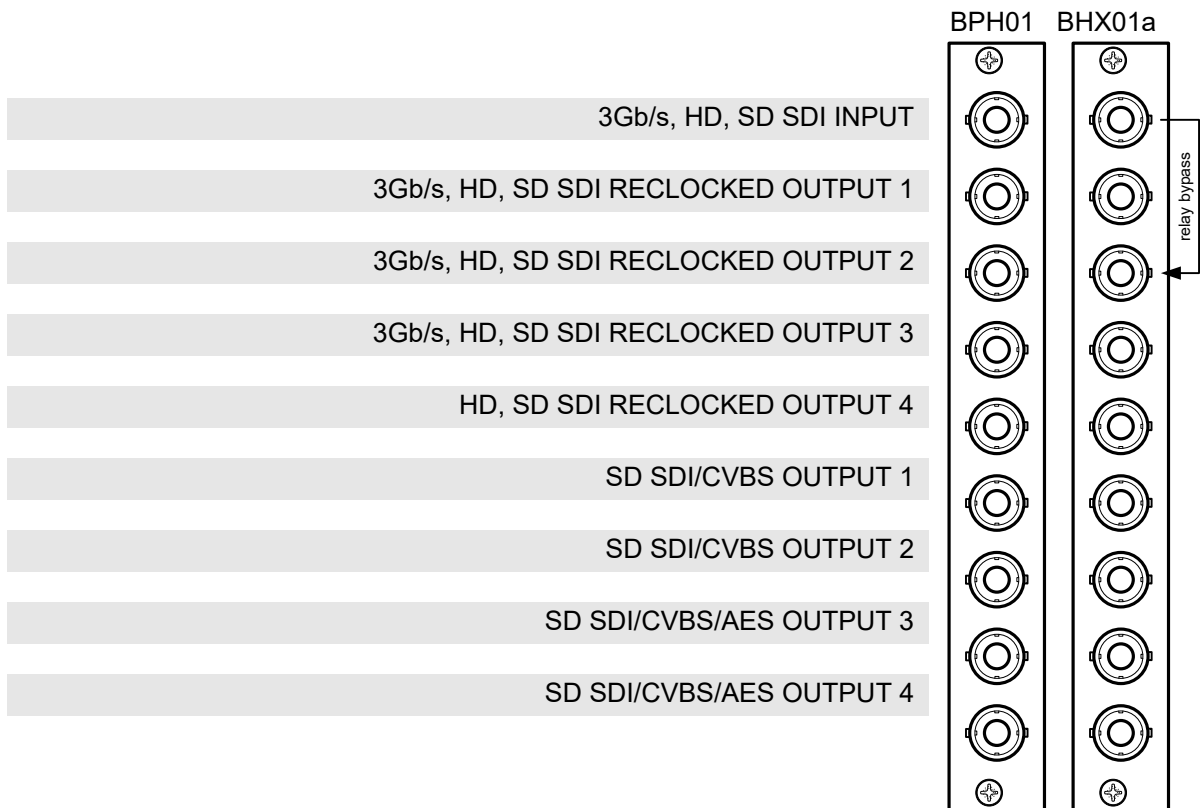
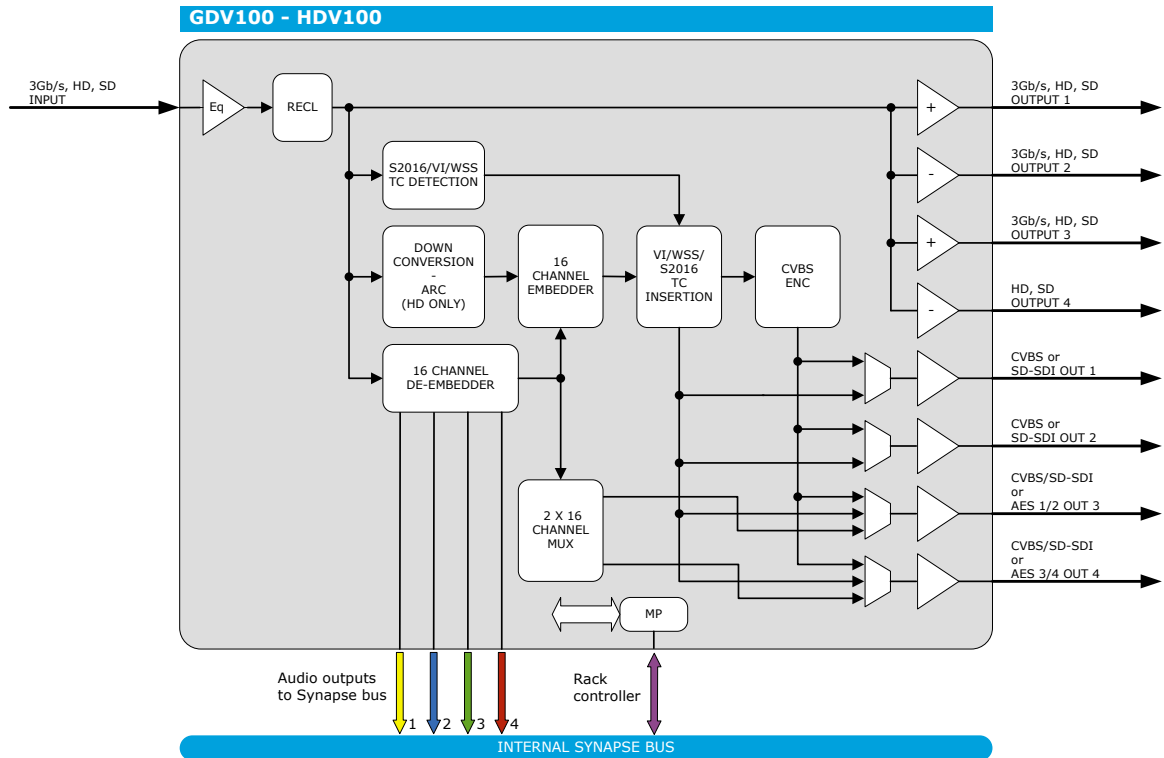
Monitoring distribution amplifier with down converted SD or analog video outputs and audio de-embedder

A Synapse® product



Due to constant product research and development all specifications are subject to change without notice. EVS does not warrant or assume any legal liability or responsibility for the accuracy, completeness, availability and/or delivery of the products and/or services listed in this datasheet. Copyright © 2021 EVS

Block schematic & I/O panel



Features

The G-HDV100 are 3Gb/s - HD – SD SDI distribution amplifiers with a built-in 3Gb/s, HD SDI to SD SDI or composite down converter. The G-HDV100 is capable of de-embedding 16 channels audio into 4 groups on the bus. The G-HDV100 can also de-embed 4 channels audio in two AES channels on the back panel. This card acts as a master-card

- 1 auto-detect 3Gb/HD/SD SDI input
- 4 reclocked HD/SD SDI outputs or 3 3Gb outputs
- 4 individually switchable down converted video outputs. User can choose from CVBS or SD SDI or AES audio
- Supports 16:9 letterbox, 14:9 letterbox, 4:3 (anamorphic and centre crop)
- HD to SD color space conversion (ITU709 and ITU601)
- Reads S2016 and converts to WWS/VI preset based (3Gb/s and HD)
- Copies WSS/VI into SD output (SD)
- Reads ATC data and transports TC data from 3Gb/s, HD and SD to SD SDI
- Transparent for 16 channels of audio on down converted video
- 4 groups de-embedding on bus
- Selectable NTSC setup removal
- Y level adjustable for SMPTE
- Locks to SDI input
- Full control and status monitoring through the front panel of the SFR04/08/18 frame and the Ethernet port (ACP)

Complementary cards:

- DAC20, DAS24, DIO48, DIO24

Conversion abilities

The G-HDV100 can handle the following conversions:

CONVERSION		Output											
		1080p29.97	1080p25	1080p23.97	1035i59.97	1080i59.94	1080i50	720p59.94	720p50	720p29.97	720p25	720p23.98	480i59.94(525)
Input	1080p29.97											x	
	1080p25												x
	1080p23.97											x	
	1035i59.97											x	
	1080i59.94											x	
	1080i50												x
	720p59.94											x	
	720p50												x
	720p29.97											x	
	720p25												x
	720p23.98											x	
	480i59.94(525)											x	
	576i50(625)												x

Applications

- Generic 3Gb/s, HD, SDI Distribution with preview output
- Pre-routing down converted DA or SD with monitoring output
- De-embedding of four groups on the bus
- De-embedding of two AES channels on back panel

Ordering information

Module:

- **GDV100:** 3G/HD/SD SDI Monitoring distribution amplifier with down converted SD or analog video outputs and digital audio outputs
- **HDV100:** HD/SD SDI Monitoring distribution amplifier with down converted SD or analog video outputs and digital audio outputs*

Standard I/O:

- **BPH01_GDVxxx:** I/O panel for G-HDV100

Relay bypass I/O:

- **BHX01a_GDVxxx:** I/O panel for I/O panel for G-HDV100 with relay bypass

Specifications

Serial video input

Standard	625/50 or 525/59.94 SMPTE 259M-C (270Mb/s) with SMPTE 272M embedded audio SMPTE 292M (1.5Gb/s), SMPTE 260M, SMPTE 274M, SMPTE 296M, SMPTE 349M 1080i/59.94, 1080i/50, 720p/59.94, 720p/50, 1080p/23.98
Number of inputs	1
Equalization	Automatic to 100m @ 1.5Gb/s with Belden 1694A or equivalent cable.

Serial video output

Standard	625/50 or 525/59.94 SMPTE 259M-C (270Mb/s) with SMPTE 272M embedded audio SMPTE 292M (1.5Gb/s), SMPTE 260M, SMPTE 274M, SMPTE 296M, SMPTE 349M 1080i/59.94, 1080i/50, 720p/59.94, 720p/50, 1080p/23.98
Signal level	800mV nominal
DC offset	0V \pm 0.5V
Rise and fall time	200ps nominal for HD, 750ps nominal for SD
Overshoot	< 10% of amplitude
Return loss	> 15dB up to 1.0Gb/s, > 10dB up to 1.5Gb/s
Wideband jitter	< 0.2UI (< 1UI by 10Hz HPF in SD)

Down converted video outputs

Number of outputs	4
Connector	BNC
Output type	Analog video or SD SDI
Delay	4ms in 1080p/59.94, 1080p/50, 1080i/59.94, 1080i/50, 720p/59.94, 720p/50 30ms in p24 and p25 modes (external audio delay needed)

Analog video output

Standard	PAL (ITU624-4) or NTSC (SMPTE 170M) and PAL-M
Signal level	1V nominal
Impedance	75 Ω
Return loss	> 35dB to 10MHz
Frequency response	0.5dB to 4.5 MHz
Differential gain	< 0.6%
Differential phase	< 0.7°
SNR	> 75dB

SD Serial video output

Standard	625/50 or 525/59.94 SMPTE 259M-C (270Mb/s)
Signal level	800mV nominal
DC Offset	0V \pm 0.5V
Rise/Fall time	520ps nominal
Overshoot	< 10% of amplitude
Return loss	> 18dB up to 270MHz
Jitter	< 600ps 10Hz HPF