



Synapse

GFS010

HFS010

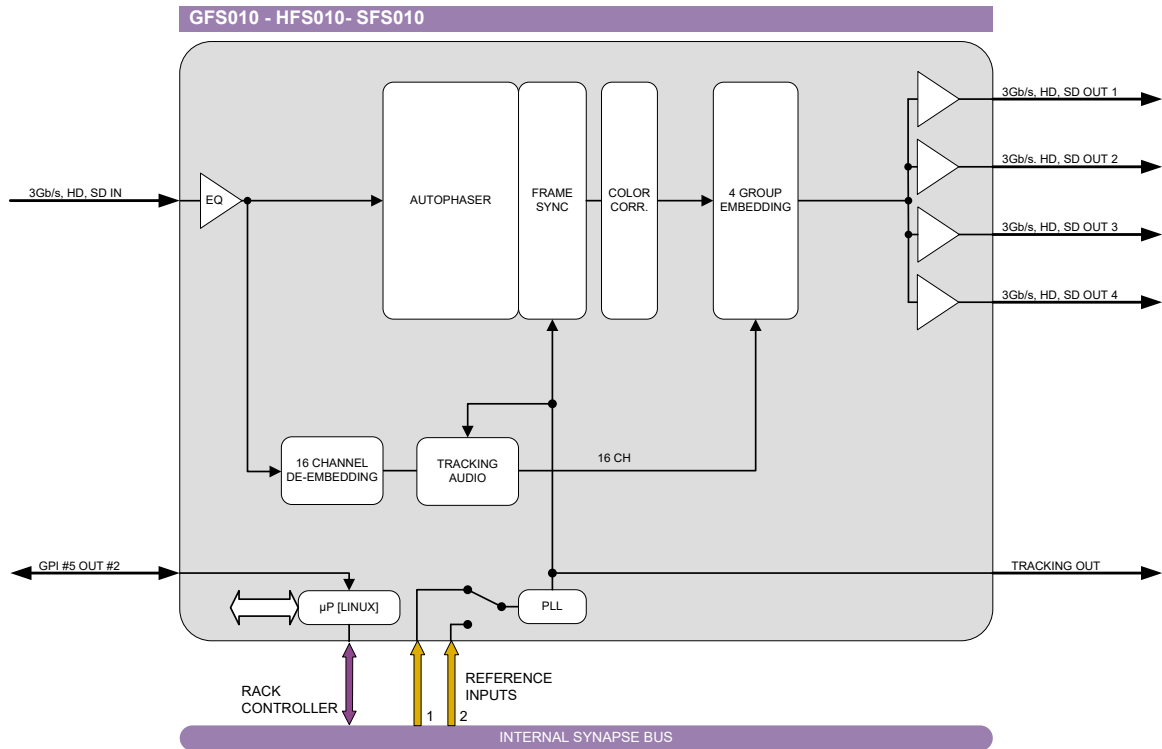
3Gb/s, HD, SD basic frame synchronizer

A Synapse® product

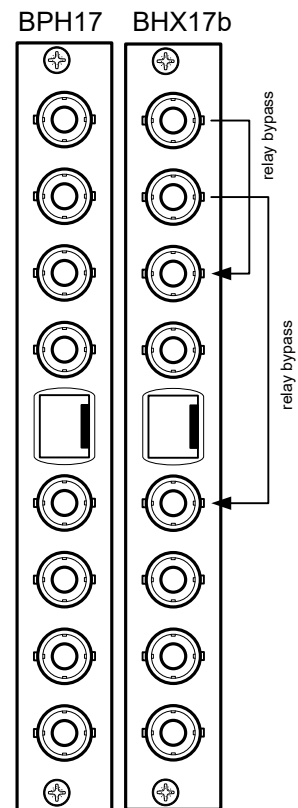


Due to constant product research and development all specifications are subject to change without notice. EVS does not warrant or assume any legal liability or responsibility for the accuracy, completeness, availability and/or delivery of the products and/or services listed in this datasheet. Copyright © 2021 EVS

Block schematic & I/O panel



- 3Gb/s, HD, SD INPUT 1
- 3Gb/s, HD, SD OUTPUT 1
- 3Gb/s, HD, SD OUTPUT 2
- GPI INPUT/OUTPUT
- 3Gb/s, HD, SD OUTPUT 3
- 3Gb/s, HD, SD OUTPUT 4



Features

The GFS010, HFS010 and SFS010 are frame synchronizers with 16 channel audio transparency and color correcting capabilities.

The GFS010 is compatible with 270Mb/s, 1.5Gb/s and 3Gb/s for full 1080p/50 or 1080p/59.94 use. The HFS010 is compatible with SD-SDI (270Mb/s) and HD-SDI (1.5Gb/s) and can be future upgraded to 3Gb/s compatibility. The SFS010 is limited to 270Mb/s only but can also be upgraded to HD or even 3Gb/s.

- 1 SDI input
- Compatible with the following input formats (auto selecting) (1080p only for GFS010):
 - 1080p/59.94
 - 1080p/50
 - 1080i/59.94
 - 1080i/50
 - 1080p/29.97
 - 1080p25
 - 1080p24
 - 1035i/59.94
 - 720p/59.94
 - 720p50
 - 720p30
 - 720p25
 - 720p24
 - SD525
 - SD625
- Color corrector
- Transparent for 16 channels of embedded audio
- Video proc-amp (Y and C control)
- Color corrector (RGB and total gain, RGB and total black)
- Hue control for NTSC inputs
- Locks to Bi-level, Tri-level syncs or SDI input
- Full control and status monitoring through the front panel of the SFR04/SFR08/SFR18 frame and the Ethernet port (ACP)
- Frame sync with output phase control in Lines and pixels with respect to reference.

Applications

- Transmission output frame synchronizer with backup input.
- General purpose post router autophaser.

Ordering information

Module:

- **GFS010:** 3Gb/s, HD, SD Frame synchronizer
- **HFS010:** HD, SD Frame synchronizer converter

Standard I/O:

- **BPH17_GFS010:** I/O-panel for G-H-SFS010

Relay by-pass I/O:

- **BHX17b_GFS010:** I/O-panel for G-H-SFS010

Specifications

Serial video input

Standard	3Gb/s, HD and SD SDI: SMPTE424, SMPTE 292M, SMPTE 259M
Number of inputs	1
Connector	BNC
Equalization	Typical maximum equalized length of Belden 1694A cable: 90m at 2.97Gb/s, 120m at 1.485Gb/s, and 250m at 270Mb/s
Return loss	> 15dB up to 1.5GHz

Serial video output

Number of outputs	4
Connector	BNC
Signal level	800mV nominal
DC offset	0V \pm 0.5V
Rise/Fall time	135ps nominal
Overshoot	< 10% of amplitude
Return loss	> 15dB up to 1.5GHz (typ.); > 10dB up to 3GHz (typ.)
Wideband jitter	< 0.2UI

Reference Input through RRC

Number of Inputs	2 on SFR18, 2 on SFR08 and 1 on SFR04
Tri-level	SMPTE274M, SMPTE296M 600 mVp-p nominal, 75 Ohms terminated through loop
Bi-level	PAL Black Burst ITU624-4/SMPTE318, Composite NTSC SMPTE 170M 1Vp-p nominal, 75 Ohms terminated through loop

Miscellaneous

Weight	Approx. 450g
Operating temperature	0 °C to +40 °C
Dimensions	137 x 296 x 20 mm (HxWxD)

Electrical

Voltage	+24V to +30V
Power	<17 Watts