



Synapse

HAS05S

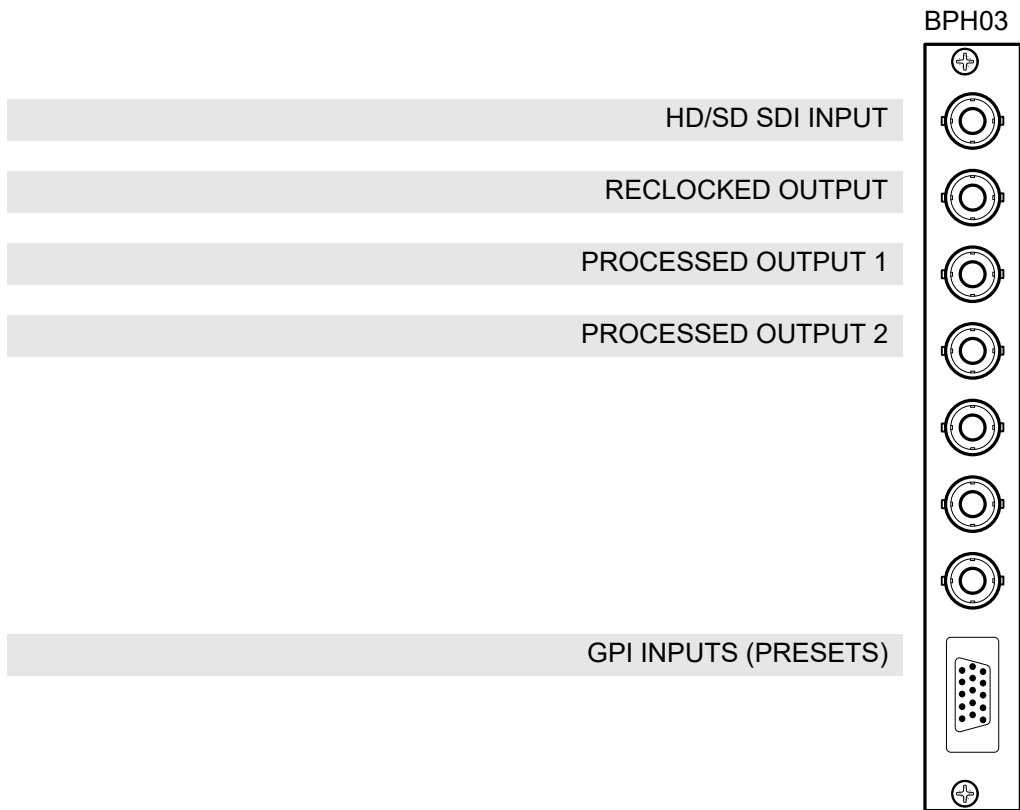
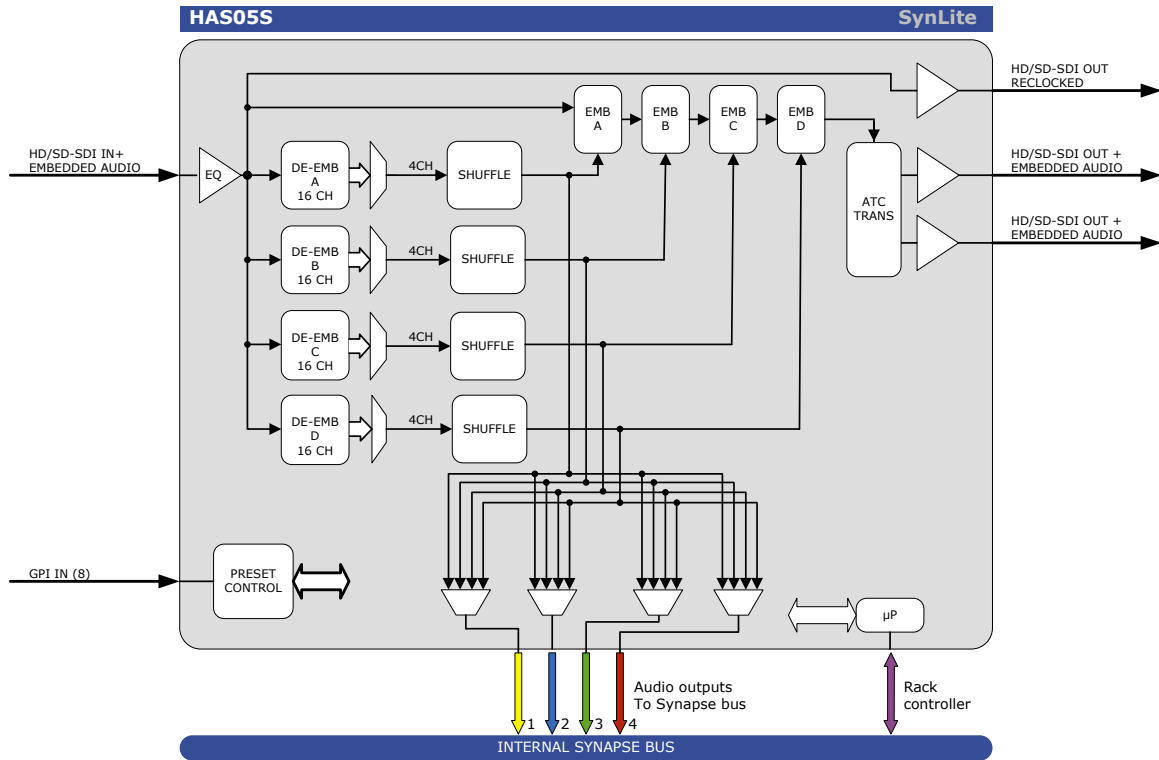
HD/SD 16-channel 4-group embedded audio shuffler card with presets

A Synapse® product



Due to constant product research and development all specifications are subject to change without notice. EVS does not warrant or assume any legal liability or responsibility for the accuracy, completeness, availability and/or delivery of the products and/or services listed in this datasheet. Copyright © 2021 EVS

Block schematic & I/O panel



Features

The HAS05S is a 16 channel in 4 group preset based HD/SD-SDI embedded audio shuffler. AXON is an industry first with this comprehensive card, and puts full audio control power in to the hands of an HD-SDI embedded signal user. The preset based control of this card makes it ideal for repeated corrections or standard channel swapping occasions in a multi lingual (combined with Dolby E) environment. If dynamic control is required the card can still perform this task as every preset is remote controllable by a third party control protocol or our dedicated control panel SCP08.

- HD-SDI and SD-SDI compatible
- 16 channel selection (any 16 out of 16)
- 8 presets (GPI or ACP controlled)
- Post monitoring with ADD-ON Card
- Silence detection with threshold (-100 to -20dBFS) and time control (1 to 255 sec)
- Possible to mute audio channels independently
- Transparent for ATC time code RP188, RP196, RP215
- Locks to SDI input
- Full control and status monitoring through the front panel of the SFR08/SFR18 frame and the Ethernet port (ACP)

Complementary cards:

- DAC20, DAC24, DAS24, DIO48, DIO24

Applications

- Preset based play-list audio shuffling
- OB Van audio shuffling with job determined presets

Ordering information

Module:

- **HAS05S:** HD/SD 16-channel 4-group embedded audio processing card with presets

Standard I/O:

- **BPH03_HAS05S:** I/O-panel for HAS05S

Specifications

HD/SD Serial Video Input

Standard	625/50 or 525/59.94 SMPTE 259M-C (270Mb/s) with SMPTE 272M embedded audio SMPTE 292M (1.5Gb/s), SMPTE 260M, SMPTE 274M, SMPTE 296M, SMPTE 349M 1080i/59.94, 1080i/50, 720p/59.94, 720p/50
Equalization	Automatic to 100m @ 1.5Gb/s with Belden 1694A or equivalent cable.
Return Loss	> 15dB up to 1.5GHz

HD Serial Video Output

Standard	625/50 or 525/59.94 SMPTE 259M-C (270Mb/s) with SMPTE 272M embedded audio SMPTE 292M (1.5Gb/s), SMPTE 260M, SMPTE 274M, SMPTE 296M, SMPTE 349M 1080i/59.94, 1080i/50, 720p/59.94, 720p/50
Signal Level	800mV nominal
DC Offset	0V \pm 0.5V
Rise and Fall Time	200ps nominal for HD, 750ps nominal for SD
Overshoot	< 10% of amplitude
Return Loss	> 15dB up to 1.0Gb/s, > 10dB up to 1.5Gb/s
Wideband Jitter	< 0.2UI

Miscellaneous

Weight	Approx. 250g
Operating Temperature	0 °C to +50 °C
Dimensions	137 x 296 x 20 mm (HxWxD)

Electrical

Voltage	+24V to +30V
Power	7 Watts