

EP8-600, EP8-700 and EP8-1000

Televator® Elevating Pedestal



The new Televator® (EP8) series of Elevating Pedestals improves upon the previous generations by offering faster robotic elevation and more stable performance for on-air use. As with the previous EP7 series, the new EP8 comes in three different sizes—in both floor- and ceiling-mount versions—to fit any robotic camera control application.

Users can combine the EP8 with a EVS pan/tilthead, studio dolly kit, TG4 TeleGlide® camera trolley and track system, or the OmniGlide® Roving Platform for versatile robotic camera operations. They allow users to maximize space in small studios by mounting and remotely controlling cameras in a multitude of ways, adding creativity and coverage that distinguishes all types of video productions.

Floor And Ceiling Models

The latest generation EP8 Series is available in three sizes that help maximize available space in small studios, enable more creative shots and enhance show flexibility. Each model offers smooth, quiet operation (with motion live shot capability) full elevating motion (up to 104.76" [2.66 m] in height) and variable speed control with 32-bit encoding. EVS is making the various sizes of the EP8 available in both floor- and ceiling-mounted versions.

Improved Performance

The EP8 is now more robust with increased reliability and more responsive performance, beginning its travel quicker and smoother, with major improvements to ramped starts and stops. It can carry up to 132 lbs (60 kg), making it ideal for full size broadcast cameras and external monitors.

Fast And Quiet

With the new design, the EP8 can begin operation quicker and move up and down at speeds of up to 5.0"/sec (31.75mm/sec) fully loaded. These new pedestals offer the smooth motion, superb repeatability and robust construction for which EVS is famous.

Virtual Set Ready

As with the previous Televator series, the EP8 is also ready for virtual set (VS) applications, with its accurate, absolute positional servo motors. With its highly precise, user-defined preset movements, the EP8 is ideal for VS applications where such precision is critical to the final image compositing results.



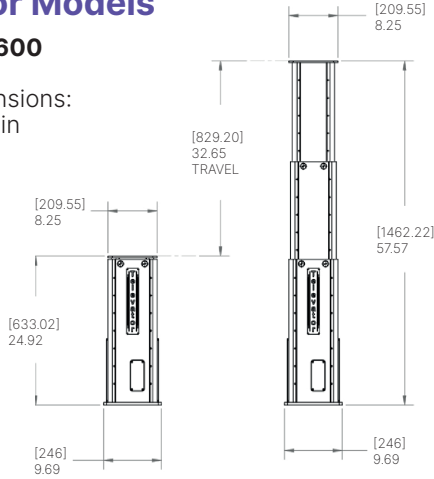
EP8-600, EP8-700 and EP8-1000

Televator® Elevating Pedestal

Floor Models

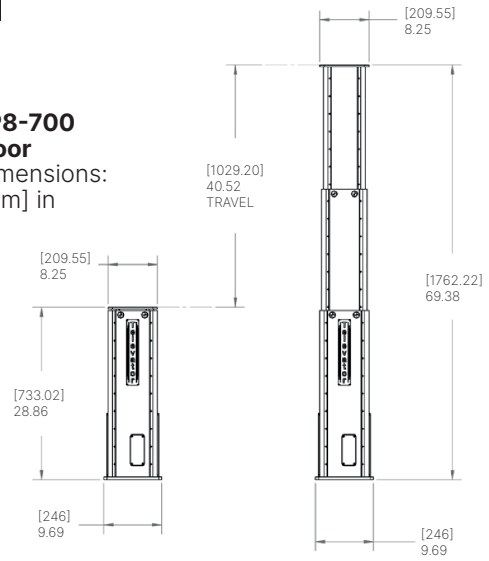
EP8-600

Floor
Dimensions:
[mm] in



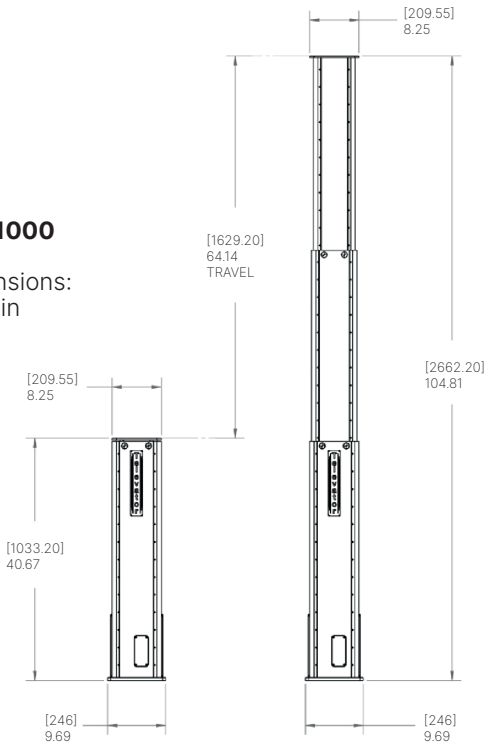
EP8-700

Floor
Dimensions:
[mm] in

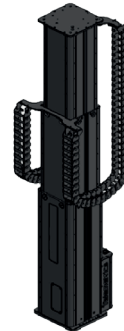
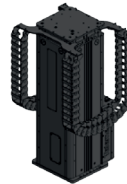


EP8-1000

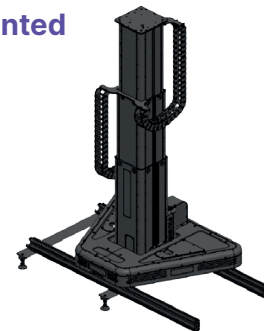
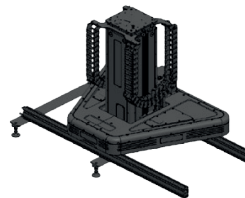
Floor
Dimensions:
[mm] in



EP8-600 Floor Mounted Extended and Retracted



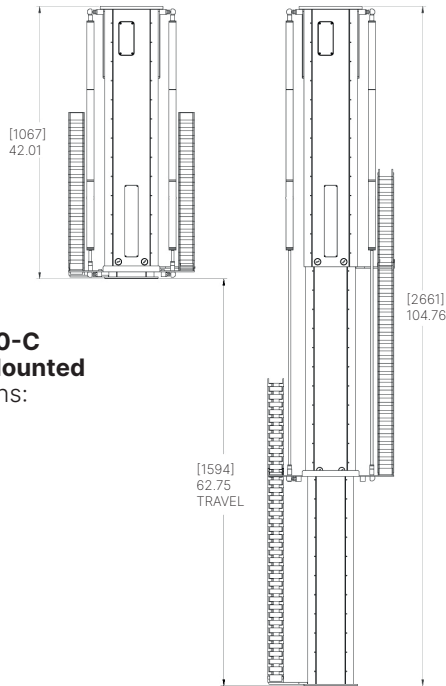
EP8-700 Floor Trolley Mounted Extended and Retracted



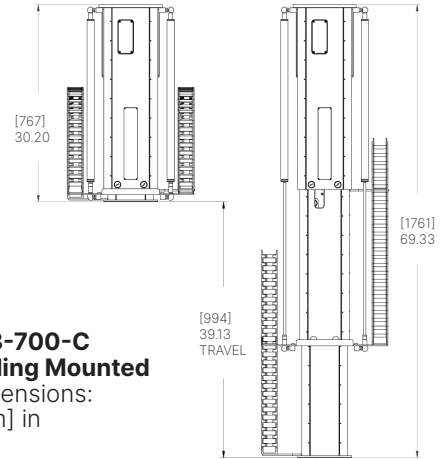
EP8-600, EP8-700 and EP8-1000

Televator® Elevating Pedestal

Ceiling Mounted Models

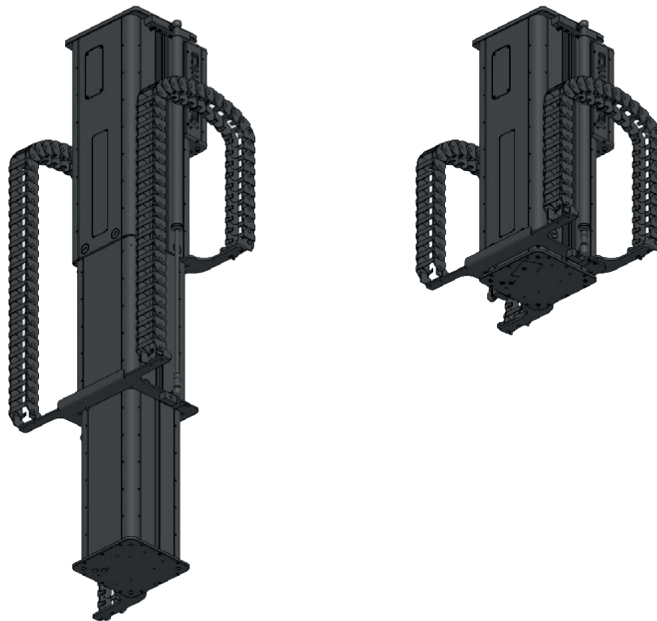


EP8-1000-C
Ceiling Mounted
Dimensions:
[mm] in



EP8-700-C
Ceiling Mounted
Dimensions:
[mm] in

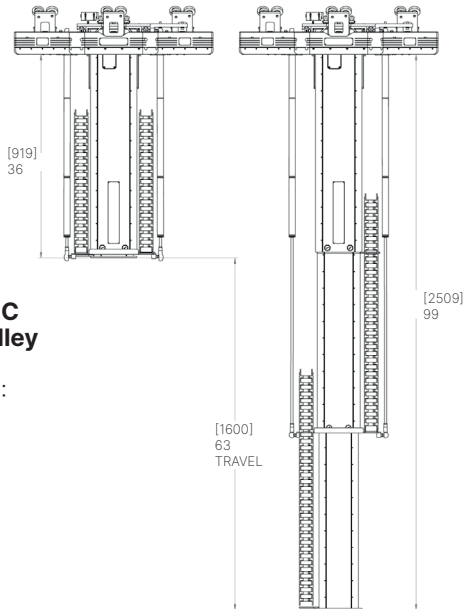
EP8 700 C
Ceiling Mounted
Extended
and Retracted



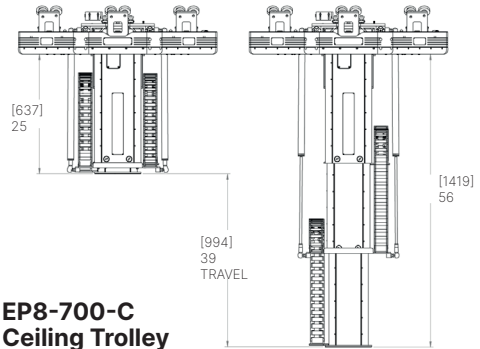
EP8-600, EP8-700 and EP8-1000

Televator® Elevating Pedestal

Ceiling Trolley Mounted Models

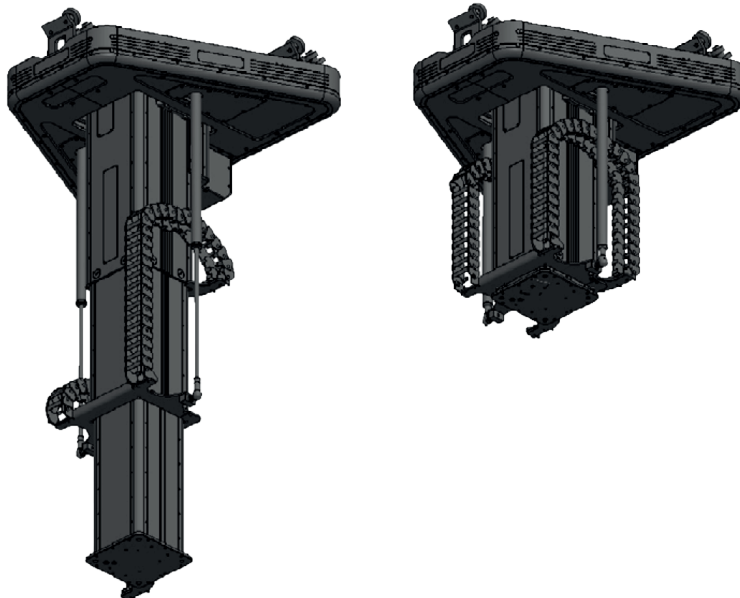


EP8-1000-C
Ceiling Trolley Mounted
Dimensions:
[mm] in



EP8-700-C
Ceiling Trolley Mounted
Dimensions:
[mm] in

EP8 700 C
Ceiling Trolley Mounted
Extended
and Retracted



MODEL	MIN HEIGHT	MAX HEIGHT	TRAVEL RANGE	WEIGHT
EP8-700-C	28.81" (731.75mm)	69.33" (1760.95mm)	40.52" (1029.21mm)	70 lbs (32kg)
EP8-1000-C	40.62" (1031.75mm)	104.76" (2660.95mm)	64.14" (1629.20mm)	120 lbs (55kg)
EP8-600-F	25.92" (633.02mm)	57.57" (1462.22mm)	32.64" (829.01mm)	94 lbs (43kg)
EP8-700-F	28.81" (731.75mm)	69.33" (1760.95mm)	40.52" (1029.21mm)	104 lbs (47kg)
EP8-1000-F	40.62" (1031.75mm)	104.76" (2660.95mm)	64.14" (1629.20mm)	144 lbs (65kg)

SPECIFICATIONS	
	DESCRIPTION
Speeds	Min Speed: 0.2"/Sec (5.08mm/Sec) Max Speed: 5.0"/Sec (127mm/Sec)
Maximum Load	132lbs (60kg)
Maximum Power	300 Watts

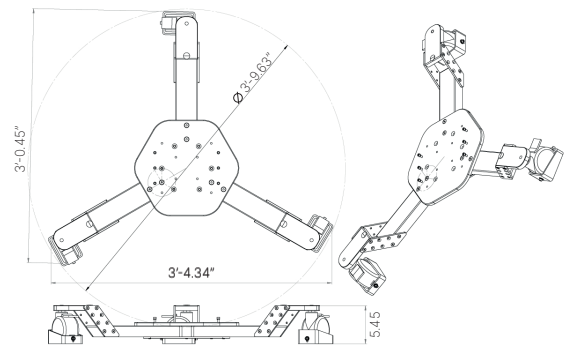
Specifications and features subject to change without notice

ORDERING INFORMATION	
MODEL NUMBER	DESCRIPTION
EP8-700-C	EP8-700-C Elevating Pedestal (Ceiling Use Only)
EP80-700-C-GSMK	Kit P Gas Spring TG4 EP8-700-C
EP8-1000-C	EP8-1000-C Elevating Pedestal (Ceiling Mount Only)
EP80-1000-C-GSMK	Kit P Gas Spring TG4 EP8-1000-C
EP8-600-F	EP8-600-F Elevating Pedestal (Floor Use Only)
EP8-700-F	EP8-700-F Elevating Pedestal (Floor Use Only)
EP8-1000-F	EP8-1000-F Elevating Pedestal (Floor Use Only)
EP8-CM-600	EP8 Cable Management 600
EP8-CM-700	EP8 Cable Management 700
EP8-CM-1000	EP8 Cable Management 01K
EP-DSK-2	EP Dolly Studio Kit
EP-FFD2	EP Folding Floor Dolly with sweepers
EP80-FFD-LF	EP8-FFD Leveling Feet Option

RRP-1 Installation



FFD Installation

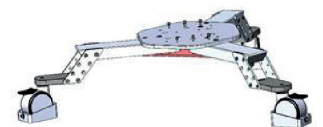


TG4 Installation



Ceiling Trolley Installation

Our Folding Floor Dolly can be adjusted in height with a range of 3" - 9.5" (80mm - 250mm).



© 2021 EVS Broadcast Equipment, all rights reserved.



EVS is globally recognized as the leader in live video technology for broadcast and new media productions. Our passion and purpose are to help our clients craft immersive stories that trigger the best return on emotion. Through a wide range of products and solutions, we help deliver the most gripping live sports images, buzzing entertainment shows and breaking news content to millions of viewers every day – and in real-time.