

PT-CP-S5 Compact Pan/Tilt Head



The PT-CP-S5 is a servo-mechanical pan/tilt head designed for the new generation of high-performance, compact, and lightweight professional cameras. The system's robotic servo controls use motors of ultra-high positional and velocity accuracy. This high precision makes the PT-CP-S5 the perfect choice for use with augmented or virtual reality systems – without any additional peripherals required.

A rugged design accommodates government and high traffic surveillance applications while ensuring high reliability, smooth motion, and accurate camera performance for a wide range of remote-control applications.

Compact Size With On-Air Performance

Providing a one-cable solution for affordable camera robotics, the PT-CP-S5 pan/tilt head's compact size is specifically designed to support the new generation of smaller, high-performance professional cameras and lens combinations weighing up to 15 lbs./6.8 kg. Thanks to EVS' proven technology, it delivers smooth motion for a wide variety of unique on-air shots.

Control Via IP Or Direct Serial Communication

The pan/tilt head provides a one-cable integration solution with power, data, and control via a PoE network connection, as well as connectivity for RS-232/422 serial control.

A network connection pass-through is also provided at the P/T head enabling remote control of third-party devices over a secure network.

reFrame® Automatic Shot Correction And Tracking

When used in tandem with the EVS RCCP-2A STS or LGS robotic camera control panels, the PT-CP-S5 is fully compatible with EVS' exclusive reFrame Automatic Shot Correction And Tracking technology. This allows users to leverage facial recognition algorithms to analyze their video and lock the cameras onto the talent with minimal human intervention.

PoE Supports Head And Camera*

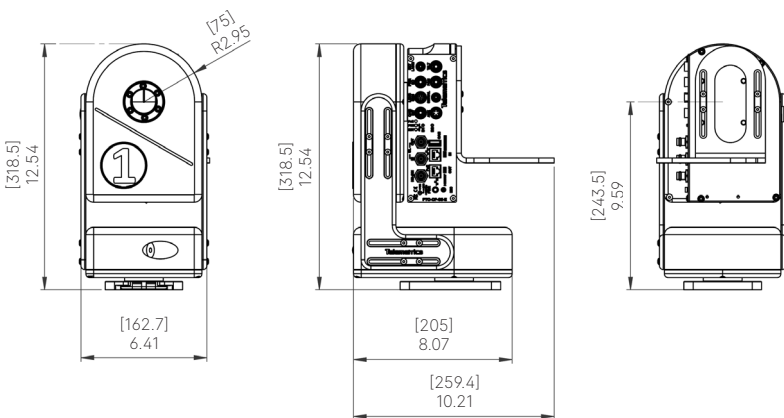
The PT-CP-S5 includes full Power over Ethernet (PoE) support (*depending upon the camera and lens used) to supply power to the unit and camera, receive commands and send images over a single Cat5e/Cat6 Ethernet cable that simplifies installation. The PT-CP-S5 supports a range of professional cameras, including those from Blackmagic Designs (Ursa Mini), Canon (ME20/200), and JVC (GY Series).



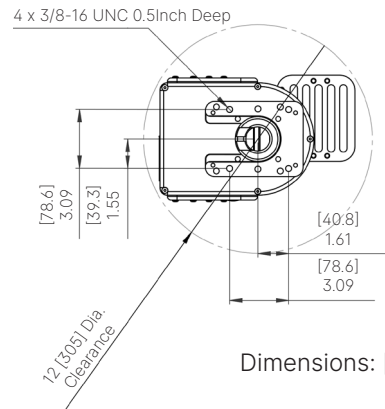
PT-CP-S5 Compact Pan/Tilt Head

SPECIFICATIONS	
Pan Travel (Max)	360° (non continuous)
Tilt Travel (Max)	142° Up, 142° Down
End Stop Resolution	Electronic: Smooth Stop
Min/Max Pan/Tilt Velocity	.04° - 90°/ sec
Stopping Accuracy	110 arc-sec (0.03°)
Position Resolution	819,200 positions/360°
Audible Noise	29 dB(A) max, IEC free field
Operating Modes	32 Bit Velocity and Positional Servo Control Preset Position with Multi-axis convergence
Mounting	Upright or inverted – base or cradle mounted processor
Dynamic Load (Payload)	Consult Factory
Communication – Control	IP/RS-232/422 serial interface standard
Dimensions	12.6"H x 9.5"W x 6.4" (320.8mm H x 242.0 mm W x 162.7mm D)
Weight	21 lbs. (9.5 kgs.)
Power Inputs	PoE 802.3 bt type 3(51W), type 4(71W) AC power supply 85-264 Vac 100W secondary 12Vdc 8amps (Included)
Camera Power Output	7.5 Vdc 3amps max 22.5W or 12 Vdc 4 amps max 48W
Operational Tempertaure	32° to 104° (0° to 40°C)
Mounting	Bottom Mount - Mitchell Pattern:(4) holes equally spaced on a 3.00" Diameter Flush Mount - EVS MA-EP7 required
Compatible Cameras	Compatible with most DSLR-style and compact cinema cameras including the following: Blackmagic Ursa Mini, Canon ME20/200.
Compatible Lenses	Serial Digital lenses from Canon (CN-E18-80 IS KAS S / Serial and CN-E70-200 IS KAS S / Serial) and Fujinon. Please consult Sales for model compatibility.

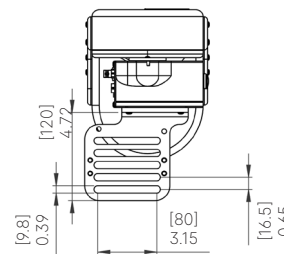
Specifications and features are subject to change without prior notice.



ORDERING INFORMATION	
MODEL NUMBER	DESCRIPTION
PT-CP-S5 PAN/TILT HEAD CAMERA BUNDLE	Includes: <ul style="list-style-type: none"> • Pan/Tilt Head w/Power Supply • Camera (Contact Sales for available camera/lens options) • Power, Control, Data, and Camera Interface Cables • Camera Mounting Hardware
PTO-CP-S5-ENC	PT-CP-S5 HDMI Encoder Option
ACCESSORIES	
PS-PACK-POE-90W	PS PoE Power Injector 90W
CP-HOU-S5-SL	Compact P/T Head Weather Resistant Camera Housing



Dimensions: [mm] in



© 2021 EVS Broadcast Equipment, all rights reserved.



EVS is globally recognized as the leader in live video technology for broadcast and new media productions. Our passion and purpose are to help our clients craft immersive stories that trigger the best return on emotion. Through a wide range of products and solutions, we help deliver the most gripping live sports images, buzzing entertainment shows and breaking news content to millions of viewers every day – and in real-time.