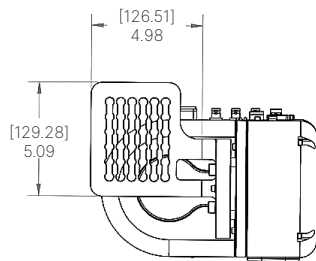
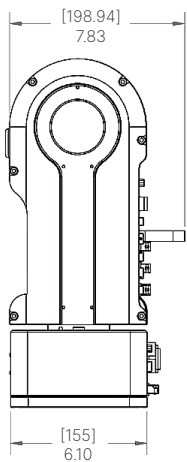
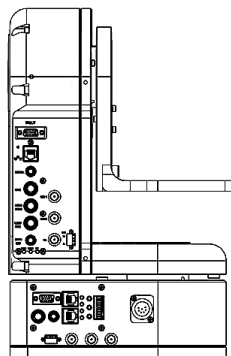
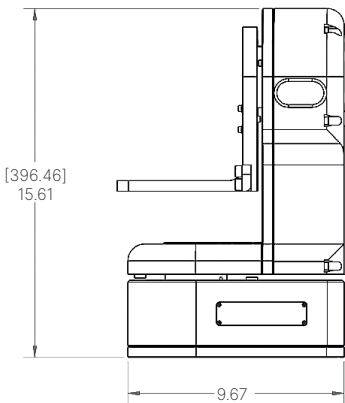


PT-HP-S5 HP Servo Pan/Tilt Head



**PT-HP-S5
HP Servo Pan/Tilt Head**
Dimensions:
[mm] in

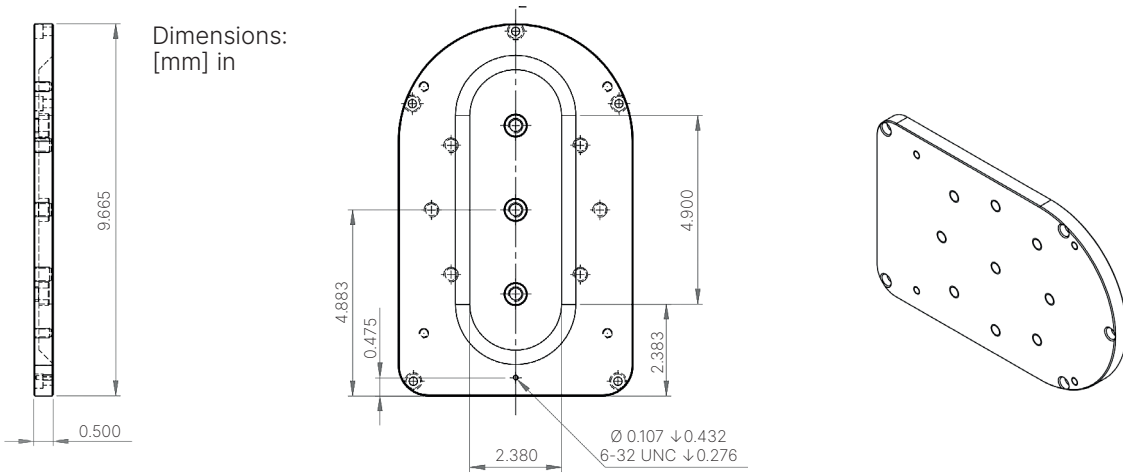


Features

- Full integral servo with support for keyframe motion and on-the-fly motion time changes
- High load capacity up to 40 lbs
- Fast and quiet, up to 100 deg/sec
- LED status indicators for power and health
- Local buttons to drive any axis and set softlimits
- Embedded red and green tally
- Web app for: simple control, configuration and health monitoring
- Clean cable management
- Embedded network switch with 3x network ports
- 4K Ready with embedded fiber through head



PT-HP-S5 HP Servo Pan/Tilt Head



SPECIFICATIONS	
MODEL NUMBER	DESCRIPTION
Pan Travel (Max)	+/-360° w/endstop (720° without end-stops)
Tilt Travel (Max)	+180° -180° (+25°, -15° with teleprompter) *
End Stop Resolution	Electronic smooth top
Velocity (Min/Max)	Pan 0.01° - 100°/sec; Tilt 0.01° - 100°/sec*
Stopping Accuracy	60 arc sec (0.016°)
Position Resolution	5,625 mil counts per 360° (23-bit)
Acceleration	90°/sec ² *
Audible Noise	31 dB(A) max, IEC free field at velocity 60°/sec
Operating Modes	Velocity, position cut & fade w/convergence, motion key frame
Payload	40 lbs. (18kg) on center of mass
Weight	29 lbs. (13kg)
Power In	38-53 VDC (10A ax)
Input Power Connector	7-pin male XLR
Camera Power Output	60W (15 VDC, 4A max)
Temperature Range	Operating: 4 to 50°C (40 to 120°F) Storage: -30 to + 60°C (-22 to 140)
Tally	Red & green integrated & output IO support
Compatible Lenses	Analog teleconference & digi full servo lenses
Camera Direct Control of CCU function	Most broadcast manufacturer cameras and models (Contact EVS for full list of supported models)

Specifications and features are subject to change without prior notice.
*Dependent on 3rd party equipment make and model

ORDERING INFORMATION	
MODEL NUMBER	DESCRIPTION
PT-HP-S5	HP Pan/Tilt Head
TL-A-12V	Tally light with brightness adjustment
Auxiliary Axis	TG4 trolley, TG4M trolley, EP6M Televator, EP7 Televator
MA-EP7	Adapter plate EP7 to PT
CA-TAL-TM-S5-048	Cable LP-S5 TM tally
CA-TAL-CSM-S5-048	Cable LP-S5 CSM tally
CA-TAL-AS-S5-048	Cable S5 AUTOSC tally
CA-TAL-PRO-LP-04	Cable LP-S4 PROLINE tally



© 2021 EVS Broadcast Equipment, all rights reserved.



EVS is globally recognized as the leader in live video technology for broadcast and new media productions. Our passion and purpose are to help our clients craft immersive stories that trigger the best return on emotion. Through a wide range of products and solutions, we help deliver the most gripping live sports images, buzzing entertainment shows and breaking news content to millions of viewers every day – and in real-time.