

PT-WP-S5 Pan/Tilt Head and Camera Housings



PT-WP-S5 Weatherproof Pan/Tilt Head Features

- Smooth slow or high speed 'camera operator'-like moves
- Fully integrated servo motors with support for keyframe motion and on-the-fly motion time changes
- Fast and quiet, up to 90°/sec
- Direct IP or serial control communication
- Compatible with most major camera manufacturers
- IP 68 Ingression Protection rating
- Optical extender and contact closure control
- High load capacity up to 90 lbs

WP-HOUL-S5 Weatherproof Housing Features:

- Supports large broadcast lenses and cameras
- Easy camera and lens integrated mounting system
- 2x optical zoom extender driver
- Genlock input
- Temperature control
- Glass with anti-reflection coating
- Anti-fog system
- IP 65 Ingression Protection
- De-ice heater system
- Sun shield and wiper blade
- Optional AC cooling system for high temperature locations

UW-HOU-A9 Underwater Housing Features

- Supports interchangeable lens digital cameras
- Universal easy-mount camera interface
- Ethernet connectivity
- 7.5 Vdc power for camera
- Certified for pools treated with chlorine
- Anti-fog system
- IP 68 Ingression Protection
- Submersion certified to 20 ft (6 m)



WPO Mini AC Air
Conditioner
Option



PT-WP-S5

Pan/Tilt Head and Camera Housings



SPECIFICATIONS	
PT-WP-S5	
Pan Travel (Max)	340° with endstop / 360°+ without endstops
Tilt Travel (Max)	±170° with endstops / 360°+ without endstops
End Stop Resolution	Mechanical: continuous angular adjustment/ abrupt stop; Electronic: smooth stop
Min/Max Velocity	Pan 0.01°-90°/sec; Tilt 0.01°-90°/sec
Stopping Accuracy	60 arc sec (0.016°)
Dynamic Load	90 lbs (41kg) including housing
Weight	20.5 lbs. (9 Kg)
Ingression Protection Rating	NEMA 4, IP65
Environmental	-4°F (-20°C) to 104°F (40°C)
WP-HOUL-S5	
Power In	38-53 Vdc (10A Max)
Input Power Connector	7-pin male XLR
Ingression Protection Rating	NEMA 4, IP65
Dynamic Weight	20 lbs (9.1 Kg)
Environmental	-4°F (-20°C) to 104°F (40°C)
Camera Power Output	60 W (15 Vdc, 4.0 A max)
Compatible Lenses	Analog teleconference & digital full servo lenses
Camera Direct Control of CCU function	Most broadcast manufacturers' cameras and models. (Contact EVS for a full list of supported models)
Max Camera/Lens Envelope	24 in x 8.5 in x 8.5 in (609.6 mm x 215.9 mm x 215.9 mm)
AC Cooling Option	Delivers 2,500 BTU circulated air
Weight	55 lbs (25 kgs)
Dimension	37.2 in x 10.67 in x 11.06 in (944.88 mm x 271.0 mm x 280.9 mm)
Noise	55 dB

Specifications and features are subject to change without prior notice.

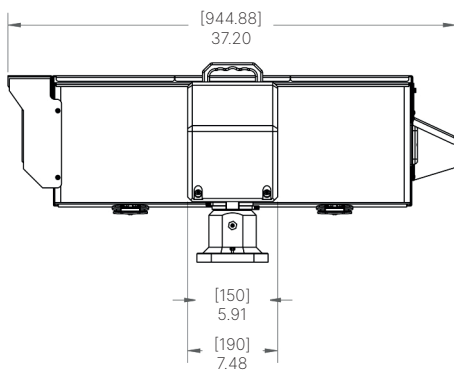
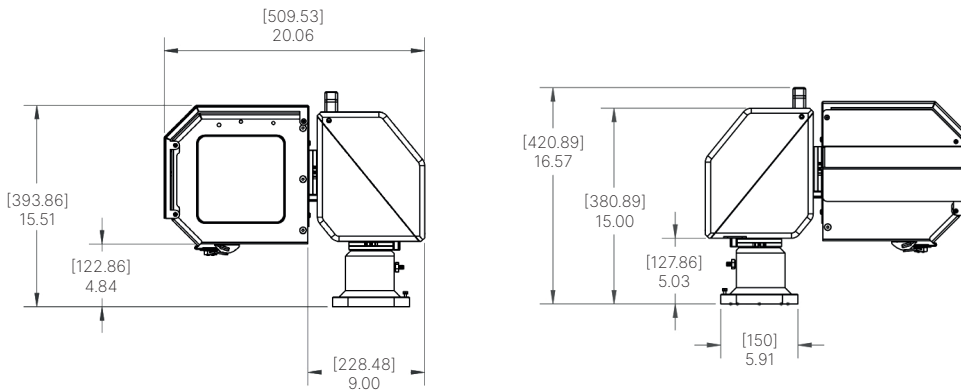
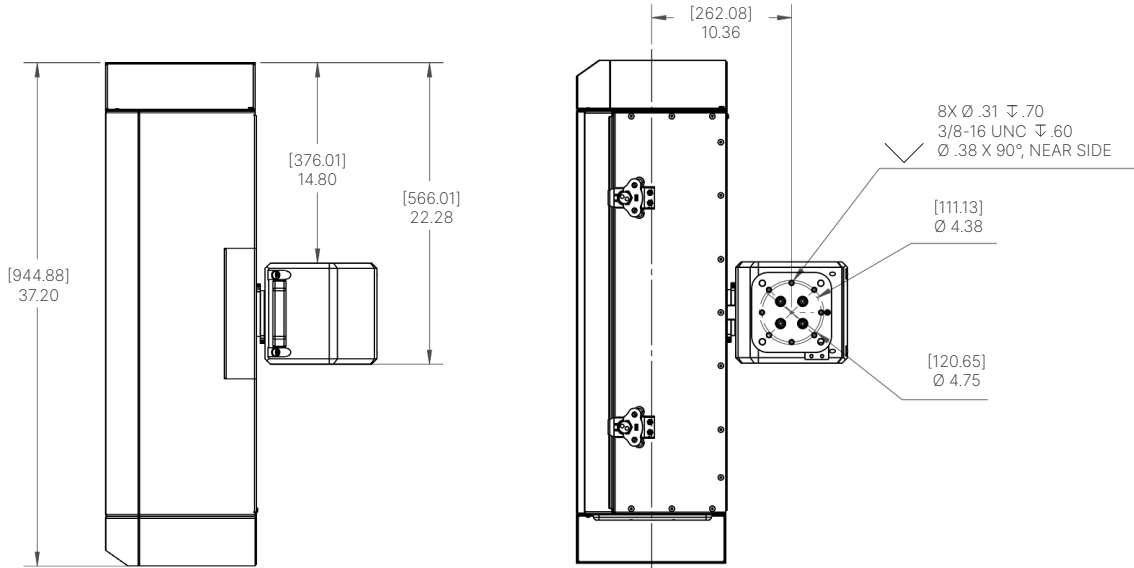
SPECIFICATIONS	
UW-HOU-A9	
Power In	15 Vdc (+/-5%)
Ingress Protection Rating	IP 68 / NEMA 6P Submersion to 20 ft (6 m)
Dynamic Weight	15 lbs (6.8 Kg)
Environmental	40°F (4°C) to 104°F (40°C)
Camera Power Output	7.5 Vdc, 2.6 amps
Max Camera/Lens Envelope	7.75 in x 5.1 in x 5.1 in (197 mm x 130 mm x 130 mm)
WPO-HOUL-S5-AC	
Volts	115 Vac
Cooling Watts	480 W
Cooling Amps (Operating)	4.3 A
Unit Weight	55.6 lbs (25.2 kg)
Shipping Weight	62 lbs (28 kg)

ORDERING INFORMATION	
MODEL NUMBER	DESCRIPTION
PT-WP-S5	Weatherproof Pan/Tilt Head
WP-HOUL-S5	Weatherproof Camera Housing & Wiper
WPO-HOUL-S5-AC	Mini Air Conditioner Option
UW-HOU-A9	Underwater Camera Housing
PS-RM-48-2	Rack Mount Redundant Power Supply



PT-WP-S5 Pan/Tilt Head and Camera Housings

Dimensions: [mm] in



© 2021 EVS Broadcast Equipment, all rights reserved.



EVS is globally recognized as the leader in live video technology for broadcast and new media productions. Our passion and purpose are to help our clients craft immersive stories that trigger the best return on emotion. Through a wide range of products and solutions, we help deliver the most gripping live sports images, buzzing entertainment shows and breaking news content to millions of viewers every day – and in real-time.