

RRP-1 OmniGlide® Robotic Roving Platform



RRP-1 shown with optional and 3rd party accessories which are not included.

Using the latest and most robust robotic camera control technology, a unique three-point drive system, and cutting-edge AI functionality built in—when used in conjunction with the Choreon STS control panel—the patent-pending EVS OmniGlide® Robotic Roving Platform (RRP-1) is the most advanced and flexible roving platform on the market. The rover consists of three main sections that make setup fast and easy and its sleek look with LED lights on the base complement the studio in a pleasingly esthetic way. It is also capable of operating in virtual sets and augmented reality environments.

Enhanced Mobility

This innovative rover provides ultra-smooth and continual motion through direction changes and along curved paths. It allows an operator to easily create dynamic moves such as crabbing or spinning on a dime without losing camera orientation. The OmniGlide features a unique Orbital Drive System that uses spherical drive actuators (no wheels), providing ultra-smooth fluid motion through directional changes and curved path movement. It can also perform trucking and spinning on its xy-axis while continuing to maintain camera shot framing.

Multiple Modes of Operation

The OmniGlide features several modes of operation to fit different studio applications. Robotic Mode allows the operator to move the platform using: Joystick control along an xy-plane; Remote Control Panel for Preset motion, KeyFrame motion, Record and Playback, and reFrame® Automatic Shot Correction. Manual-Mode control on the OmniGlide is designed to be cooperative with humans by aiding local operation. The internal motor

can assist an operator in any motion on any axis. Manual handles with ergonomic placement of control allows anyone to operate the OmniGlide locally with minimal effort. In addition, the platform maintains positional awareness when moved manually.

Environmental Awareness & Safety

The OmniGlide employs high-resolution xy-plane scanners that cover a full 360-degree radius. These sensors are used for collision avoidance, pending obstruction warning, directional positioning and calibration, and auto-orientation compensation. Using an Advanced Positioning System, the OmniGlide is always aware of its 3-dimensional position within the studio – No Homing required! DC power (low voltage) is supplied to the roving platform to maintain a safe operational environment. All ancillary equipment (camera, prompter, monitor, etc.) is powered directly by roving platform – no additional power supplies required.

Advanced Mechatronics Technology

Special options for the product include a hot-swappable and fully rechargeable battery system (with monitoring capability) that allows the rover to operate without the burden of cables, as well as AI-assisted “Path Planning”, whereby the rover figures out the safest path between point A and point B, even when there’s an obstruction (like a news desk) in between, and automated “Collision Avoidance” that helps the rover automatically avoid unwanted collisions with physical obstructions.



RRP-1 OmniGlide® Robotic Roving Platform

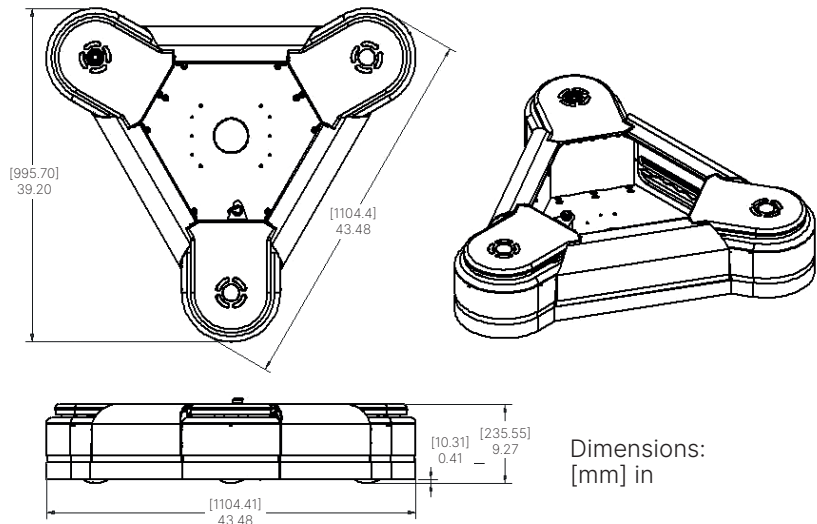
SPECIFICATIONS	
Payload Capacity	300 lbs (136 kg)
Doorway Tracking Width	39.5 in (1003.3 mm)
Maximum Floor Speed	12 in/sec (304.8 mm/sec)
Skirt Clearance	0.75 in (19 mm)
Power	DC 48V 500W
Weight	205 lbs (93 kg)
Operating Temperature	32° to 104°F (0° to 40°C) non-condensing
Storage Temperature	-4° to 140°F (-20° to 60°C)
Humidity	10 to 90% RH (non-condensing)

Specifications and features subject to change without notice

ORDERING INFORMATION	
MODEL NUMBER	DESCRIPTION
RRP-1 OMNIGLIDE BUNDLE	Includes: RRP-1 OmniGlide Roving Platform, Advanced Positioning, E-Stop Switch, EP8-600F Elevating Pedestal, EP-DSK2 Televator Studio Kit, PT-LP-S5 Pan/Tilt Head, 4 PS-RM Power Supplies, Interconnect Cables and 100' Power Cables. Non Virtual Set Capable.
RRP-1 OMNIGLIDE VIRTUAL SET CAPABLE BUNDLE	Includes: RRP-1 OmniGlide Roving Platform, Advanced Positioning, E-Stop Switch, EP8-600F Elevating Pedestal, EP-DSK2 Televator Studio Kit, PT-LP-S5 Pan/Tilt Head, PTO-LP-S5-VS Virtual Set Option, 4 PS-RM Power Supplies, Interconnect Cables and 100' Power Cables. Not Including: Virtual Set Upgrade License
RRPO-1-APV-L	RRP-1 Adv Pos Virtual License
RRPO-1-B	OmniGlide Battery Option



Shown with cover



© 2021 EVS Broadcast Equipment, all rights reserved.



EVS is globally recognized as the leader in live video technology for broadcast and new media productions. Our passion and purpose are to help our clients craft immersive stories that trigger the best return on emotion. Through a wide range of products and solutions, we help deliver the most gripping live sports images, buzzing entertainment shows and breaking news content to millions of viewers every day – and in real-time.